

# OPERATOR'S MANUAL

## Z-Force Steering Wheel

---

### Table of Contents

<i>Important Safe Operation Practices</i> .....	2	<i>Product Care</i> .....	17
<i>Assembly &amp; Set-Up</i> .....	7	<i>Parts/Warranty</i> .....	<i>See Separate Supplement</i>
<i>Controls &amp; Operation</i> .....	10		

---

### **WARNING**

**READ AND FOLLOW ALL SAFETY RULES AND INSTRUCTIONS IN THIS MANUAL  
BEFORE ATTEMPTING TO OPERATE THIS MACHINE.  
FAILURE TO COMPLY WITH THESE INSTRUCTIONS MAY RESULT IN PERSONAL INJURY.**

**NOTE:** This Operator's Manual covers several models. Features may vary by model. Not all features in this manual are applicable to all models and the model depicted may differ from yours.



# Important Safe Operation Practices

# 2

## ⚠ WARNING

⚠ This symbol points out important safety instructions which, if not followed, could endanger the personal safety and/or property of yourself and others. Read and follow all instructions in this manual before attempting to operate this machine. Failure to comply with these instructions may result in personal injury. When you see this symbol. **HEED ITS WARNING!**

## ⚠ WARNING

### California Proposition 65

Engine Exhaust, some of its constituents, and certain vehicle components contain or emit chemicals known to State of California to cause cancer and birth defects or other reproductive harm.  
Battery posts, terminals, and related accessories contain lead and lead compounds, chemicals known to the State of California to cause cancer and reproductive harm. Wash hands after handling.

## ⚠ DANGER

This machine was built to be operated according to the safe operation practices in this manual. As with any type of power equipment, carelessness or error on the part of the operator can result in serious injury. This machine is capable of amputating hands and feet and throwing objects. Failure to observe the following safety instructions could result in serious injury or death.

### General Operation

1. Read, understand, and follow all instructions on the machine and in the manual(s) before attempting to assemble and operate. Keep this manual in a safe place for future and regular reference and for ordering replacement parts.
2. Be familiar with all controls and their proper operation. Know how to stop the machine and disengage them quickly.
3. Never allow children under 14 years of age to operate this machine. Children 14 and over should read and understand the instructions and safe operation practices in this manual and on the machine and should be trained and supervised by an adult.
4. Never allow adults to operate this machine without proper instruction.
5. To help avoid blade contact or a thrown object injury, keep bystanders, helpers, children and pets at least 75 feet from the machine while it is in operation. Stop machine if anyone enters the area.
6. Thoroughly inspect the area where the equipment is to be used. Remove all stones, sticks, wire, bones, toys, and other foreign objects which could be picked up and thrown by the blade(s). Thrown objects can cause serious personal injury.
7. Plan your mowing pattern to avoid discharge of material toward roads, sidewalks, bystanders and the like. Also, avoid discharging material against a wall or obstruction which may cause discharged material to ricochet back toward the operator.
8. Always wear safety glasses or safety goggles during operation and while performing an adjustment or repair to protect your eyes. Thrown objects which ricochet can cause serious injury to the eyes.
9. Wear sturdy, rough-soled work shoes and close-fitting slacks and shirts. Loose fitting clothes and jewelry can be caught in movable parts. Never operate this machine in bare feet or sandals.
10. Be aware of the mower and attachment discharge direction and do not point it at anyone. Do not operate the mower without the discharge cover or entire grass catcher in its proper place.
11. Do not put hands or feet near rotating parts or under the cutting deck. Contact with the blade(s) can amputate hands and feet.
12. A missing or damaged discharge cover can cause blade contact or thrown object injuries.
13. Stop the blade(s) when crossing gravel drives, walks, or roads and while not cutting grass.
14. Watch for traffic when operating near or crossing roadways. This machine is not intended for use on any public roadway.
15. Do not operate the machine while under the influence of alcohol or drugs.
16. Mow only in daylight or good artificial light.
17. Never carry passengers.
18. Back up slowly. Always look down and behind before and while backing to avoid a back-over accident. Be aware and pay attention to the safety system function that stops power to the blades when driving in reverse. If not functioning properly, contact an authorized dealer for safety system inspection and repair.
19. Slow down before turning. Operate the machine smoothly. Avoid erratic operation and excessive speed.
20. Disengage blade(s), set parking brake, stop engine and wait until the blade(s) come to a complete stop before removing grass catcher, emptying grass, unclogging chute, removing any grass or debris, or making any adjustments.
21. Never leave a running machine unattended. Always turn off blade(s), place drive control levers/pedals in neutral, set parking brake, stop engine and remove key before dismounting.
22. Use extra care when loading or unloading the machine into a trailer or truck. This machine should not be driven up or down ramp(s), because the machine could tip over, causing serious personal injury. The machine must be pushed manually on ramp(s) to load or unload properly.
23. Muffler and engine become hot and can cause a burn. Do not touch.
24. Check overhead clearances carefully before driving under low hanging tree branches, wires, door openings etc., where the operator may be struck or pulled from the machine, which could result in serious injury.
25. Disengage all attachment clutches, set the parking brake to the 'ON' position or on control lever tractors move the RH and LH drive control levers fully outward to the neutral position before attempting to start the engine.
26. Your machine is designed to cut normal residential grass of a height no more than 10". Do not attempt to mow through unusually tall, dry grass (e.g., pasture) or piles of dry leaves. Dry grass or leaves may contact the engine exhaust and/or build up on the mower deck presenting a potential fire hazard.

27. Use only accessories and attachments approved for this machine by the machine manufacturer. Read, understand and follow all instructions provided with the approved accessory or attachment.
28. Data indicates that operators, age 60 years and above, are involved in a large percentage of riding mower-related injuries. These operators should evaluate their ability to operate the riding mower safely enough to protect themselves and others from serious injury.
29. If situations occur which are not covered in this manual, use care and good judgment. Contact your customer service representative for assistance.

### Slope Operation

Slopes are a major factor related to loss of control and tip-over accidents which can result in severe injury or death. All slopes require extra caution. If you cannot back up the slope or if you feel uneasy on it, do not mow it.

For your safety, use the slope gauge included as part of this manual to measure slopes before operating this machine on a sloped or hilly area. If the slope is greater than 15 degrees as shown on the slope gauge, do not operate this machine on that area or serious injury could result.

#### Do:

1. Mow across slopes, not up and down. Exercise extreme caution when changing direction on slopes.
2. Watch for holes, ruts, bumps, rocks, or other hidden objects. Uneven terrain could overturn the machine. Tall grass can hide obstacles.
3. Use slow speed. Choose a low enough speed so that you will not have to stop while on the slope. Avoid starting or stopping on a slope. If the tires are unable to maintain traction, disengage the blades and proceed slowly and carefully straight down the slope.
4. Follow the manufacturer's recommendations for wheel weights or counterweights to improve stability.
5. Use extra care with grass catchers or other attachments. These can change the stability of the machine.
6. Keep all movement on the slopes slow and gradual. Do not make sudden changes in speed or direction. Rapid acceleration or deceleration could cause the front of the machine to lift and rapidly flip over backwards, which could cause serious injury.

#### Do Not:

1. Do not turn on slopes unless necessary; then turn slowly uphill and use extra care while turning.
2. Do not mow near drop-offs, ditches or embankments. The mower could suddenly turn over if a wheel is over the edge of a cliff, ditch, or if an edge caves in.

3. Do not try to stabilize the machine by putting your foot on the ground.
4. Do not use a grass catcher on steep slopes.
5. Do not mow on wet grass. Reduced traction could cause sliding.
6. Do not tow heavy pull behind attachments (e.g. loaded dump cart, lawn roller, etc.) on slopes greater than 5 degrees. When going down hill, the extra weight tends to push the tractor and may cause you to lose control (e.g. tractor may speed up, braking and steering ability are reduced, attachment may jack-knife and cause tractor to overturn).

### Children

1. Tragic accidents can occur if the operator is not alert to the presence of children. Children are often attracted to the machine and the mowing activity. They do not understand the dangers. Never assume that children will remain where you last saw them.
  - a. Keep children out of the mowing area and in watchful care of a responsible adult other than the operator.
  - b. Be alert and turn machine off if a child enters the area.
  - c. To avoid back-over accidents, always look behind and down for small children.
  - d. Never carry children, even with the blade(s) shut off. They may fall off and be seriously injured or interfere with safe machine operation.
  - e. Use extreme care when approaching blind corners, doorways, shrubs, trees or other objects that may block your vision of a child who may run into the path of the machine.
  - f. Keep children away from hot or running engines. They can suffer burns from a hot muffler.
  - g. Remove key when machine is unattended to prevent unauthorized operation.
2. Never allow children under 14 years of age to operate this machine. Children 14 and over should read and understand the instructions and safe operation practices in this manual and on the machine and should be trained and supervised by an adult.

### Towing

1. Tow only with a machine that has a hitch designed for towing. Do not attach towed equipment except at the hitch point.
2. Follow the manufacturer's recommendation for weight limits for towed equipment and towing on slopes.

3. Never allow children or others in or on towed equipment.
4. On slopes, the weight of the towed equipment may cause loss of traction and loss of control.
5. Travel slowly and allow extra distance to stop.
6. Do not shift to neutral and coast downhill.

### Service

#### Safe Handling of Gasoline:

1. To avoid personal injury or property damage use extreme care in handling gasoline. **Gasoline is extremely flammable and the vapors are explosive.** Serious personal injury can occur when gasoline is spilled on yourself or your clothes which can ignite. Wash your skin and change clothes immediately.
  - a. Use only an approved gasoline container.
  - b. Extinguish all cigarettes, cigars, pipes and other sources of ignition.
  - c. Never fuel machine indoors.
  - d. Never remove gas cap or add fuel while the engine is hot or running. Allow engine to cool at least two minutes before refueling.
  - e. Never over fill fuel tank. Fill tank to no more than ½ inch below bottom of filler neck to allow space for fuel expansion.
  - f. Replace gasoline cap and tighten securely.
  - g. If gasoline is spilled, wipe it off the engine and equipment. Move machine to another area. Wait 5 minutes before starting the engine.
  - h. To reduce fire hazards, keep machine free of grass, leaves, or other debris build-up. Clean up oil or fuel spillage and remove any fuel soaked debris.
  - i. Never store or re-fuel the machine or fuel container inside where there is an open flame, spark or pilot light as on a water heater, space heater, furnace, clothes dryer or other gas appliances.
  - j. Allow a machine to cool at least five minutes before storing.
2. Avoid Static Discharge
  - a. Never fill containers inside a vehicle or on a truck or trailer bed with a plastic liner. Always place containers on the ground away from your vehicle before filling.

- b. When practical, remove gas-powered equipment from the truck or trailer and refuel it on the ground. If this is not possible, then refuel such equipment on a trailer with a portable container, rather than from a gasoline dispenser nozzle.
- c. Keep the nozzle in contact with the rim of the fuel tank or container opening at all times until fueling is complete. Do not use a nozzle lock-open device.

### General Service

1. Never run an engine indoors or in a poorly ventilated area. Engine exhaust contains carbon monoxide, an odorless, and deadly gas.
2. Before cleaning, repairing, or inspecting, make certain the blade(s) and all moving parts have stopped. Disconnect the spark plug wire and ground against the engine to prevent unintended starting.
3. Periodically check to make sure the blades come to complete stop within approximately (5) five seconds after operating the blade disengagement control. If the blades do not stop within the this time frame, your machine should be serviced professionally by an authorized dealer.
4. Regularly check the safety interlock system for proper function, as described later in this manual. If the safety interlock system does not function properly, have your machine serviced professionally by an authorized dealer.
5. Check the blade(s) and engine mounting bolts at frequent intervals for proper tightness. Also, visually inspect blade(s) for damage (e.g., excessive wear, bent, cracked). Replace the blade(s) with the original equipment manufacturer's (O.E.M.) blade(s) only, listed in this manual. "Use of parts which do not meet the original equipment specifications may lead to improper performance and compromise safety!"

6. Mower blades are sharp. Wrap the blade or wear gloves, and use extra caution when servicing them.
7. Keep all nuts, bolts, and screws tight to be sure the equipment is in safe working condition.
8. Never tamper with the safety interlock system or other safety devices. Check their proper operation regularly.
9. After striking a foreign object, stop the engine, disconnect the spark plug wire(s) and ground against the engine. Thoroughly inspect the machine for any damage. Repair the damage before starting and operating.
10. Never attempt to make adjustments or repairs to the machine while the engine is running.
11. Grass catcher components and the discharge cover are subject to wear and damage which could expose moving parts or allow objects to be thrown. For safety protection, frequently check components and replace immediately with original equipment manufacturer's (O.E.M.) parts only, listed in this manual. "Use of parts which do not meet the original equipment specifications may lead to improper performance and compromise safety!"
12. Do not change the engine governor settings or over-speed the engine. The governor controls the maximum safe operating speed of the engine.
13. Maintain or replace safety and instruction labels, as necessary.
14. Observe proper disposal laws and regulations for gas, oil, etc. to protect the environment.
15. According to the Consumer Products Safety Commission (CPSC) and the U.S. Environmental Protection Agency (EPA), this product has an *Average Useful Life* of seven (7) years, or 270 hours of operation. At the end of the *Average Useful Life* have the machine inspected annually by an authorized service dealer to ensure that all mechanical and safety systems are working properly and not worn excessively. Failure to do so can result in accidents, injuries or death.

### **Do not modify engine**

To avoid serious injury or death, do not modify engine in any way. Tampering with the governor setting can lead to a runaway engine and cause it to operate at unsafe speeds. Never tamper with factory setting of engine governor.

### **Notice Regarding Emissions**

Engines which are certified to comply with California and federal EPA emission regulations for SORE (Small Off Road Equipment) are certified to operate on regular unleaded gasoline, and may include the following emission control systems: Engine Modification (EM) and Three Way Catalyst (TWC) if so equipped.

When required, models are equipped with low permeation fuel lines and fuel tanks for evaporative emission control. California models may also include a carbon canister. Please contact Customer Support for information regarding the evaporative emission control configuration for your model.

### **Spark Arrestor**

#### **▲ WARNING**












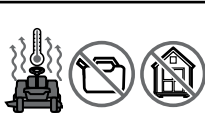


**This machine is equipped with an internal combustion engine and should not be used on or near any unimproved forest-covered, brush-covered or grass-covered land unless the engine's exhaust system is equipped with a spark arrestor meeting applicable local or state laws (if any).**

If a spark arrestor is used, it should be maintained in effective working order by the operator. In the State of California the above is required by law (Section 4442 of the California Public Resources Code). Other states may have similar laws. Federal laws apply on federal lands.

A spark arrestor for the muffler is available through your nearest engine authorized service dealer or contact the service department, P.O. Box 361131 Cleveland, Ohio 44136-0019.

## Safety Symbols

This page depicts and describes safety symbols that may appear on this product. Read, understand, and follow all instructions on the machine before attempting to assemble and operate.

Symbol	Description
	<b>READ THE OPERATOR'S MANUAL(S)</b> Read, understand, and follow all instructions in the manual(s) before attempting to assemble and operate.
	<b>DANGER — ROTATING BLADES</b> Never carry passengers. Never carry children, even with the blades off.
	<b>DANGER — ROTATING BLADES</b> Mowing in reverse is not recommended.
	<b>WARNING — ROTATING BLADES</b> Do not put hands or feet near rotating parts or under the cutting deck. Contact with the blade(s) can amputate hands and feet.
	<b>DANGER — ROTATING BLADES</b> Look down and behind before and while backing to avoid a back-over accident.
	<b>WARNING — THROWN OBJECTS</b> This machine may pick up and throw objects which can cause serious personal injury.
	<b>DANGER — SAFETY DEVICES</b> Keep safety devices (guards, shields, switches, etc.) in place and working.
	<b>WARNING — BYSTANDERS</b> Keep bystanders, helpers, children and pets at least 75 feet from the machine while it is in operation.
	<b>WARNING — SLOPE OPERATION</b> Do not operate this machine on a slope greater than 15 degrees. Do not mow up and down slopes. Mow across slopes no greater than 15 degrees. Avoid sudden turns. Use low speed. If machine stops going uphill, stop blades and back down slowly.
	<b>WARNING — HOT SURFACE</b> Engine parts, especially the muffler, become extremely hot during operation. Allow engine and muffler to cool before touching.
	<b>DANGER — ROTATING BLADES</b> To reduce the risk of injury, keep hands and feet away. Do not operate unless discharge cover or grass catcher is in its proper place. If damaged, replace immediately.
	<b>WARNING — FIRE HAZARD</b> Allow machine to cool before fueling or storing.
	<b>WARNING — FIRE HAZARD</b> Do not drive through piles of dry leaves or tall grass.
	<b>WARNING — FIRE HAZARD</b> Do not allow debris to accumulate. The build up of debris can lead to a fire.

## Slope Gauge

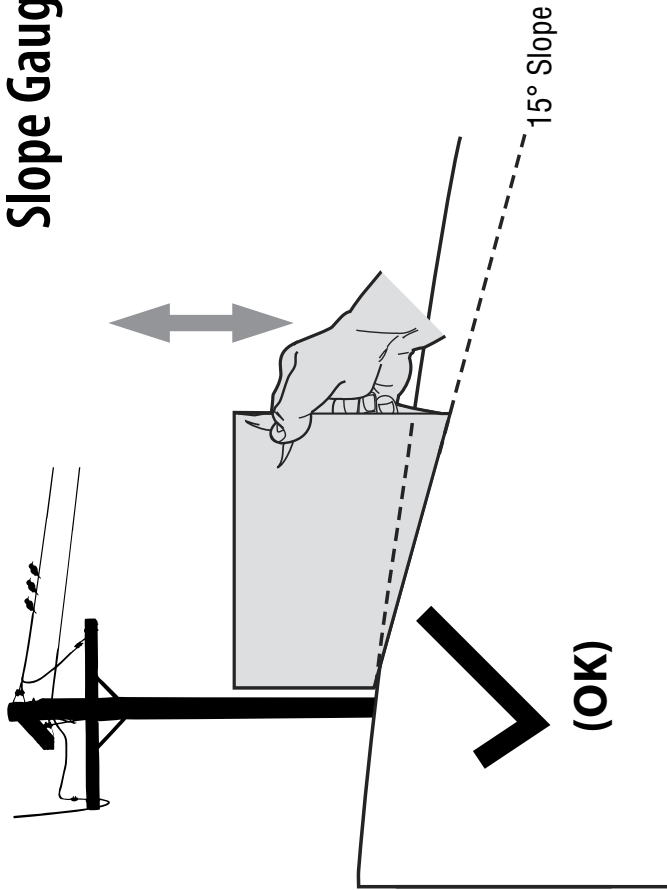


Figure 1

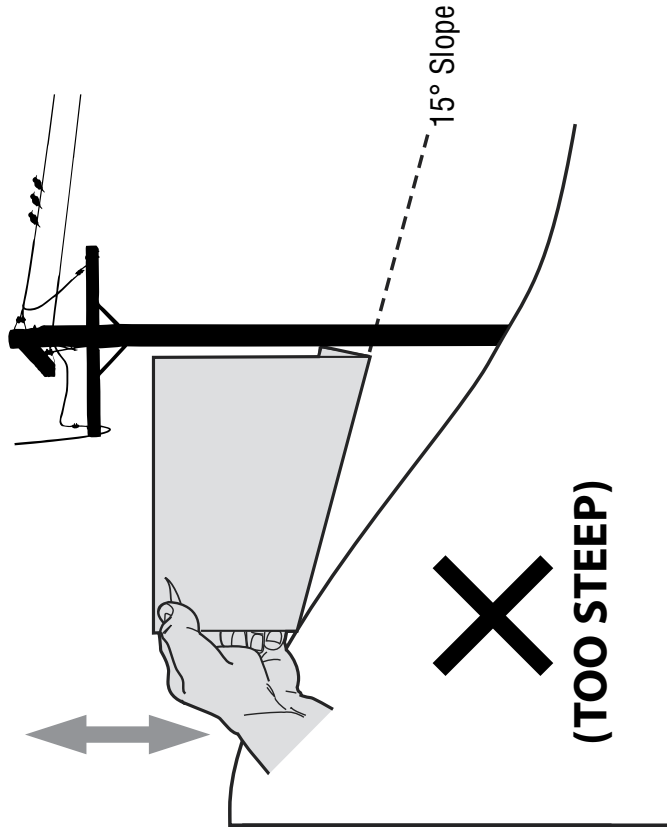


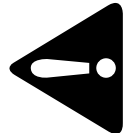
Figure 2

*15° dashed line*

### USE THIS SLOPE GAUGE TO DETERMINE IF A SLOPE IS TOO STEEP FOR SAFE OPERATION!

To check the slope, proceed as follows:

1. Remove this page and fold along the dashed line.
2. Locate a vertical object on or behind the slope (e.g. a pole, building, fence, tree, etc.)
3. Align either side of the slope gauge with the object (See Figure 1 and Figure 2).
4. Adjust gauge up or down until the left corner touches the slope (See Figure 1 and Figure 2).
5. If there is a gap below the gauge, the slope is too steep for safe operation (See Figure 2 above).



**WARNING!** Slopes are a major factor related to tip-over and roll-over accidents which can result in severe injury or death.

Do not operate machine on slopes in excess of 15 degrees. All slopes require extra caution. If you cannot back up the slope or if you feel uneasy on it, do not mow it. Always mow up and down slopes, never across the face of slopes.

## Thank You

Thank you for purchasing this product. It was carefully engineered to provide excellent performance when properly operated and maintained.

Please read this entire manual prior to operating the equipment. It instructs you how to safely and easily set up, operate and maintain your machine. Please be sure that you, and any other persons who will operate the machine, carefully follow the recommended safety practices at all times. Failure to do so could result in personal injury or property damage.

All information in this manual is relative to the most recent product information available at the time. Review this manual frequently to familiarize yourself with the machine, its features and operation. Please be aware that this Operator's Manual may cover a range of product specifications for various models. Characteristics and features discussed and/or illustrated in this manual may not be applicable to all models. We reserve the right to change product specifications, designs and equipment without notice and without incurring obligation.

If applicable, the power testing information used to establish the power rating of the engine equipped on this machine can be found at [www.opei.org](http://www.opei.org) or the engine manufacturer's web site.

If you have any problems or questions concerning the machine, phone your local authorized service dealer or contact us directly. We want to ensure your complete satisfaction at all times.

Throughout this manual, all references to *right* and *left* side of the machine are observed from the operating position.

## Contents of Crate

- Zero-Turn Tractor (1)
  - Operator's Manual (1)
  - Engine Operator's Manual (1)
  - Discharge Chute Assembly (1)
  - Product Registration Card (1)
- † — If Equipped

**Note:** This Operator's Manual covers several models. Tractor features may vary by model. Not all features in this manual are applicable to all tractor models and the tractor depicted may differ from yours.

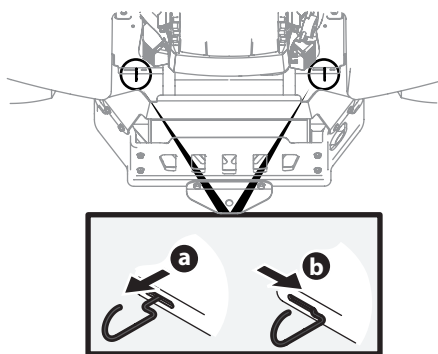
**Note:** All references in this manual to the left or right side and front or back of the tractor are from the operating position only. Exceptions, if any, will be specified.

**Note:** Some components may come already assembled. If they are already assembled, skip ahead to the next step.

## Tractor Preparation

### Manually Moving the Tractor

1. Engage the transmission bypass rods, one on each side of the tractor, to move the tractor manually without starting it. The transmission bypass rods are located on the rear of the tractor, just inside each rear wheel. Engage the bypass rods by pulling each one out (a) and to the right (b) to lock it into place. See Figure 2-1.

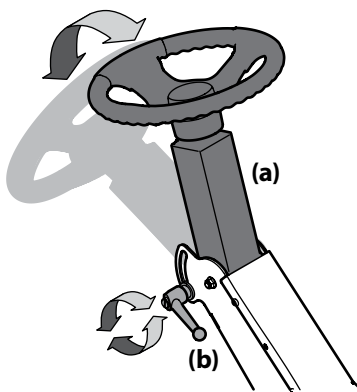


**Figure 2-1**

2. Disengage the bypass rods by reversing steps a & b after moving the tractor. See Figure 2-1.
3. Remove the deck wash system nozzle adapter from the manual bag and store for future use.

### Steering Wheel Column

The steering wheel column (a) is tilted all the way back for shipping purposes. To tilt the steering wheel column (a) forward, rotate the steering column adjustment lever (b) counterclockwise, place the steering wheel column (a) in the desired position and then rotate the steering wheel column adjustment lever (b) clockwise to secure the steering wheel column in place. See Figure 2-2.



**Figure 2-2**

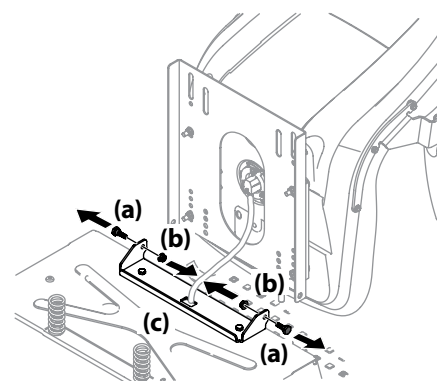
**Note:** Be sure that the steering column adjustment lever (b) is tight to prevent the steering wheel column (a) from moving when operating the machine.

### Install Operator's Seat

To install the seat proceed as follows:

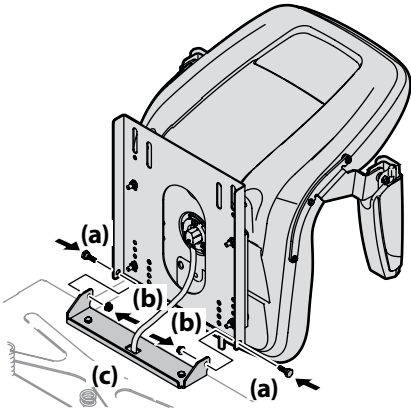
1. Cut any straps securing the seat assembly to the tractor. Remove any packing material.
 

**Note:** Be careful not to cut the wiring harness connecting the seat and the seat switch.
2. Remove the two shoulder screws (a) and flange lock nuts (b) in the seat bracket (c) as shown in Figure 2-3.



**Figure 2-3**

3. Rotate the seat into position and secure the seat into place with the previously removed shoulder screws and flange lock nuts. Be careful not to crimp or damage the wire harness while installing the seat. See Figure 2-4.



**Figure 2-4**

**Note:** Be sure to push the excess wire from the wire harness into the seat box hole before continuing.

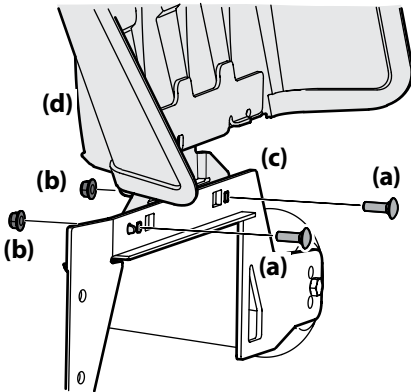
### Lower Discharge Chute Assembly

#### ⚠ WARNING

Never operate the tractor deck without the discharge chute assembly installed and in the down position.

The discharge chute assembly must be installed before operating the tractor. To install the discharge chute assembly, proceed as follows:

1. Remove the carriage screws (a) and flange lock nuts (b) installed on the mounting bracket (c) on the deck. See Figure 2-5.

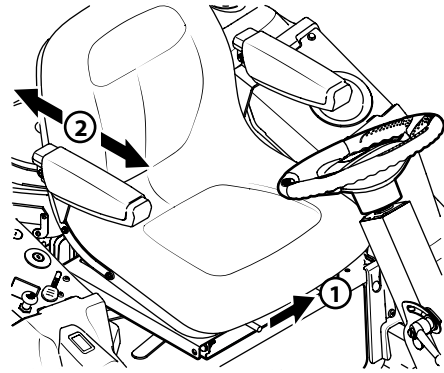


**Figure 2-5**

2. With the previously removed hardware, install the chute deflector on the deck as shown in Figure 2-5.

### Adjusting the Seat

1. To adjust the position of the seat, push the seat adjustment lever to the left. See Figure 2-6.

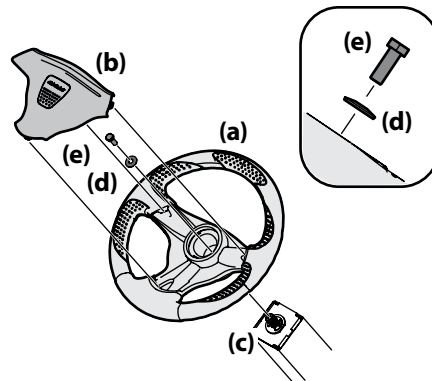


**Figure 2-6**

2. Slide the seat forward or rearward to the desired position; then release the adjustment lever. Make sure seat is locked into position before operating the tractor. See Figure 2-6.

### Steering Wheel

1. Remove the hardware for attaching the steering wheel (a) from beneath the steering wheel cover (b). Carefully pry off the steering wheel cover (b) to remove the hardware. See Figure 2-7.



**Figure 2-7**

2. With the wheels of the machine pointing straight forward, place the steering wheel (a) over the steering shaft (c).
3. Place the Belleville washer (d) with the cupped side facing inward over the steering wheel and secure with the hex lock screw (e).
4. Place the steering wheel cover (b) over the center of the steering wheel (a) and push downward until it "clicks" into place.
5. Proper steering column and seat adjustment will result in the following (to adjust the seat, refer to Adjusting the Seat on the previous page):
  - a. In the neutral position with hands on the steering wheel,
    - Operator's upper arms should be relaxed and approximately vertical.

- Operator's forearms should be approximately horizontal.
- Operator's back should stay in contact with the seat back.
- Steering column should not contact operator's legs.

6. Check the results of any adjustments to the conditions described above. Repeat any adjustment procedures as required until all conditions are met.

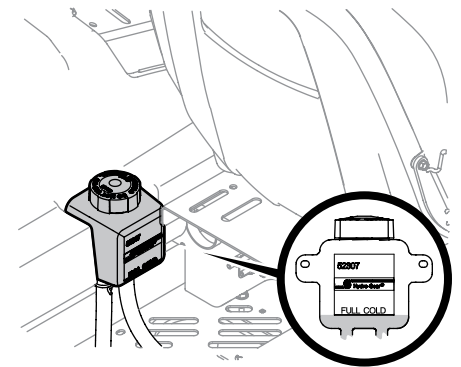
### Fuel Fill-Up

Using a good grade of unleaded regular gasoline, fill the tank (beside the engine on the right side of the mower). When the fuel tank reaches one inch from the top of the tank, stop, DO NOT OVERFILL. Space must be left for expansion.

### Transmission Oil Expansion Reservoir

The transmission oil expansion reservoir is connected by hoses to the RH and LH transmission assemblies, and is located behind the seat box. The function of the reservoir is to hold the natural expansion of transmission oil that occurs as the transmission warms up during operation. DO NOT FILL THE RESERVOIR.

Under normal operating conditions, no oil should be added to the reservoir. The COLD oil level should be no higher than approximately 1/4" (the "Full Cold" mark) above the bottom of the reservoir. See Figure 2-8.



**Figure 2-8**

**Note:** Prior to the initial operation of the tractor, the oil level in the reservoir may be slightly higher than the maximum due to air in the oil lines. Operation of the tractor will eventually purge the air from the lines and the oil level will settle to the maximum.





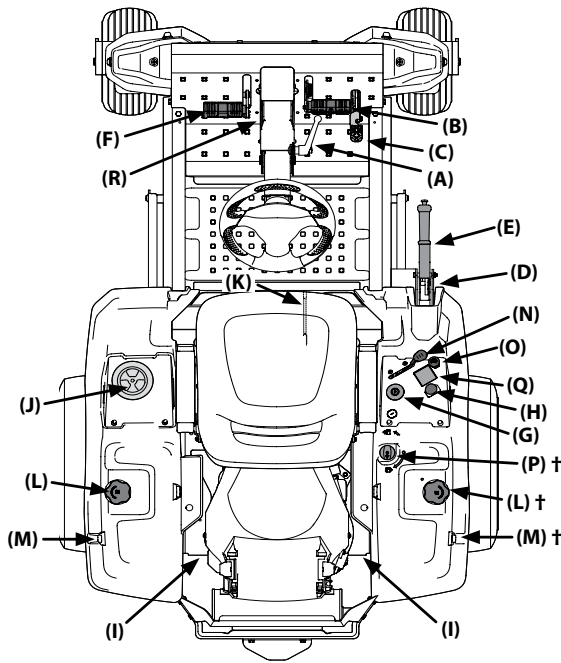


Figure 3-1

† -- If Equipped

**Note:** This Operator's Manual covers several models. Tractor features may vary by model. Not all features in this manual are applicable to all tractor models and the tractor depicted may differ from yours.

**Note:** References to LEFT, RIGHT, FRONT, and REAR indicate that position on the tractor when facing forward while seated in the operator's seat.

### Steering Column Adjustment Lever (A)

The steering column adjustment lever is located on the right side of the steering column. To adjust the angle of the steering column rotate the lever counterclockwise, move the steering column to the desired position and then rotate the lever clockwise to lock it into position.

**Note:** Be sure that the steering column adjustment lever is tight to prevent the column from moving when operating the tractor.

**Note:** The handle is spring loaded so that it can moved out of the way after tightening. Pull the handle out and rotate it to the desired position.

### Forward Drive Pedal (B)

The forward drive pedal is located on the right side of the machine, along the running board. Press the forward drive pedal forward to cause the tractor to travel forward. Ground speed is also controlled with the forward drive pedal. The further forward the pedal is pivoted, the faster the tractor will travel. The pedal will return to its original/neutral position when it's not pressed.



### Reverse Drive Pedal (C)

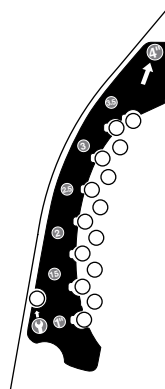
The reverse drive pedal is located on the right side of the tractor along the running board. Ground speed is also controlled with the reverse drive pedal. The further downward the pedal is pivoted, the faster the tractor will travel. The pedal will return to its original/neutral position when it's not pressed.



### Deck Height Index (D)

The deck height index consists of several holes located on the front of the RH console. Each hole corresponds to a ¼" change in the deck height position ranging from 1" at the lowest notch to 4" at the highest notch. The highest notch is also the transport position and the lowest position is the deck removal/installation position.

**Note:** Do not cut grass in the deck removal/installation position. Doing so is detrimental to the belt life.



### Deck Lift Handle (E)

The deck lift handle is located on the front of the RH console, and is used to raise and lower the tractor deck.

Depress the button on the end of the handle and push downward to lower the deck, or pull upward to raise the deck. When the desired height is attained, secure the pin in the desired index hole and release the button on the handle.

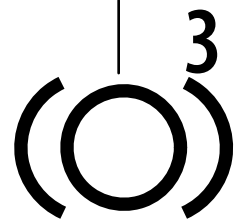
**Note:** Make certain the deck is secured and the pin is fully inserted into the deck height index. The pin is keyed to help keep it in place and fits into the slotted holes on the deck height index.

**Note:** The deck lift handle must always be above the pin, never hang the deck lift handle from the pin when mowing.

### Brake Pedal (F)

The brake pedal is located on the left front side of the running board. The brake pedal can be used for sudden stops or setting the parking brake.

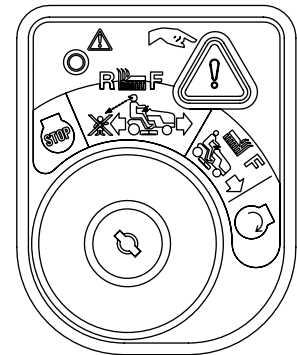
**Note:** The brake pedal must be fully depressed to activate the safety interlock switch when starting the rider.



### Ignition Module (G)

#### ⚠ WARNING

Never leave a running machine unattended. Always disengage PTO, set parking brake, stop engine and remove key to prevent unintended starting.



To start the engine, insert the key into the ignition module and turn clockwise to the START position. Release the key into the NORMAL MOWING MODE position once the engine has fired.

To stop the engine, turn the ignition key counterclockwise to the STOP position.

#### ⚠ CAUTION

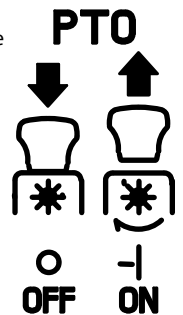
Prior to operating the tractor, refer to both Safety Interlock Switches and Starting The Engine in the Operation section of this manual for detailed instructions regarding the Ignition Switch Module and operating the tractor in REVERSE CAUTION MODE.

### Power Take-Off (PTO) Switch (H)

The PTO switch is located on the RH console to the left of the hour meter/indicator panel.

The PTO switch operates the electric PTO clutch mounted on the bottom of the engine crankshaft. Pull the switch knob upward to engage the PTO clutch, or push the knob downward to disengage the clutch.

The PTO switch must be in the "OFF" position when starting the engine.



### Transmission Bypass Rods (I)

The transmission bypass rods (one for each the RH and LH transmission) are located on the rear of the tractor, just inside each rear wheel.

When engaged, the two rods open a bypass within the hydrostatic transmissions, which allows the tractor to be pushed short distances by hand. Refer to the Assembly & Set-Up section for instructions on using the bypass feature.

**⚠ CAUTION**

Never tow your tractor. Towing the tractor with the rear wheels on the ground may cause severe damage to the transmissions.

### Cup Holder (J)

The cup holder is located to the left of the operator's seat on the LH console.

### Seat Adjustment Lever (K)

The seat adjustment lever is located below the seat. The seat adjustment lever allows for adjustment forward or backward of the operator's seat. Refer to the Assembly & Set-Up section for instructions on adjusting the seat position.

### Fuel Tank Cap(s) (L)

The fuel tank cap(s) are located near the middle of the LH console on some models and the LH and RH console on some models. Turn the fill cap to remove. The fuel cap is tethered to the tractor to prevent its loss. Do not attempt to remove the cap from the tractor. Fill tank to the bottom of the filler neck, allowing some space in the tank for fuel expansion. Do not overfill the tank.

Push the cap downward on the fuel tank fill neck and turn clockwise until it clicks to tighten. Always re-install the fuel cap tightly onto the fuel tank after removing.

**⚠ WARNING**

Never fill the fuel tank when the engine is running. If the engine is hot from recently running, allow to cool for several minutes before refueling. Highly flammable gasoline could splash onto the engine and cause a fire.

### Fuel Level Windows (M)

The fuel level windows are located on the outside of the LH and RH consoles and shows the level of fuel in the gas tank.

### Throttle Control (N)

The throttle control is located on the RH console. When set in a given position, a uniform engine speed will be maintained.

Push the throttle control handle forward to increase the engine speed. The tractor is designed to operate with the throttle control in the fast position (full throttle) when the tractor is being driven and the tractor deck is engaged.

Pull the throttle control handle rearward to decrease the engine speed.






### Choke Control (O)

The choke control is located on the RH console. The choke control determines the position of the engine choke. Pull the knob out to choke the engine; push the knob in to open the choke.



### Fuel Valve (P) (If equipped)

The fuel valve is located on the inner side of the RH console. The valve switches the fuel flow from the right and left tank and also can shut off fuel flow to the engine. Rotate the valve to the rear to open the flow from the right fuel tank . Rotate the valve to the front to open the flow from the left tank . To shut off fuel from both tanks rotate the valve towards the right of the tractor and the OFF  position. See the Operation section for more information on using the fuel valve.



### LCD Service Minder & Hour Meter (Q)

When the ignition key is rotated out of the STOP position but not into the START position, the LCD Service Minder and Hour Meter will briefly display the battery voltage, followed by the tractor's accumulated hours.

**Note:** Hours of tractor operation are recorded any time the ignition key is rotated out of the STOP position, regardless of whether the engine is started.

The LCD Service Minder will remind the operator of maintenance intervals for changing the engine oil, air filter service, low engine and low battery warnings.

#### Change Oil

The LCD will display the letters "CHG", followed by the letters "OIL", followed by the letters "SOON", then finally followed by the meter's accumulated time. "CHG/OIL/SOON/TIME" will alternate on the display for 7 minutes after the meter reaches 50 hours. This oil service minder interval will occur every 50 hours. Before the interval expires, change the engine oil as instructed in the Product Care section of this Operator's Manual.

#### Low Oil

The letters "LO" followed by the letters "OIL", then followed by the meter's accumulated time will indicate the tractor is low on oil. Stop the tractor immediately and check the engine oil level as instructed in this Operator's Manual.

**Note:** The "LOW OIL" function only works if the engine is equipped with an oil pressure switch.

#### Low Battery

At startup, the battery voltage is briefly displayed then changes to accumulated hours.

The letters "LO" will display followed by the letters "BATT" and then followed by the meter's accumulated time. "LO/BATT/TIME" is displayed on the LCD when the voltage drops below 11.5 volts. When this occurs, the battery is in need of a charge or the engine's charging system is not generating sufficient amperage. Charge the battery as instructed in the Product Care section of this manual or have the charging system checked by your local service dealer.



### Air Filter Service

The letters "CLN" will display, followed by the letters "AIR", followed by "FILT", then followed by the meter's accumulated time. "CLN/AIR/FILT/TIME" will alternate on the display for 7 minutes after the meter reaches 25 hours. This air filter service minder time interval will be every 25 hours. On intervals that are common with oil service, the oil message will be displayed first followed by the air filter message.

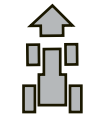


### Park Brake/Cruise Control Lock Pedal (R)

The park brake/cruise control lock pedal is located at the base of the steering column. It is used to engage the park brake when the tractor is at rest. Engaging the lever while the tractor is in motion allows the tractor to remain at a constant ground speed without applying pressure to the forward drive pedal. Refer to the Operation section of this manual for detailed instructions regarding the parking brake as well as the cruise control feature.

**Note:** Cruise control can NOT be engaged at the tractor's fastest ground speed. If the operator should attempt to do so, the tractor will automatically decelerate to the fastest optimal mowing ground speed

**Note:** The park brake must be set if the operator leaves the seat with the engine running or the engine will automatically shut off.



### Transmission Oil Expansion Reservoir (Not shown)

The transmission oil expansion reservoir is connected by hoses to the RH and LH transmission assemblies, and is located behind the seat box. The function of the reservoir is to hold the natural expansion of transmission oil that occurs as the transmission warms up during operation. See the Assembly & Set-Up section for more information on the transmission oil expansion reservoir.

## Operation

### General Safety

- RECEIVE INSTRUCTION — Entirely read this operator's manual. Learn to operate this machine SAFELY. Do not risk INJURY or DEATH. Allow only those who have become competent in its usage to operate this tractor.
- Before starting the engine or beginning operation, be familiar with the controls. The operator should be in the operator's seat. The PTO switch must be in the disengaged position and the parking brake engaged.
- Keep all shields in place. Keep away from moving parts.
- NO RIDERS! Keep all people and pets a safe distance away. Look behind and down to both sides of the tractor before and while backing up.
- DO NOT direct the mower discharge at people. Never walk or stand on the discharge side of the mower when the engine is running. Turn off the PTO if another person approaches while you are operating the mower.
- Avoid slopes where possible. Never operate on slopes greater than 15°. Slopes with a greater incline present dangerous operating conditions. Tractors can be rolled over. Always mow across slopes, never up and down the slope. Avoid turning downhill if possible, start at the bottom and work up to the top. Use extra care and go slowly when turning downhill. Control the speed and direction of the zero turn machine "primarily" with the speed/directional control (lap bar) of the downhill side of the machine, i.e., maintain the uphill side lap bar "essentially" in a fixed position.
- Before leaving the operator's seat shut off the PTO and engage the parking brake, shut off the engine and remove the ignition key. Wait for all movement to stop before servicing or cleaning.
- Avoid any sudden movements of the steering wheel when starting and stopping. Keep a firm grip on the steering wheel.
- Be careful when operating near roadways. Stop the tractor motion and wait for vehicles to pass before operating along the road.
- Do not operate the tractor with the mower deck removed. Removal of the deck will change the balance of the tractor, and could contribute to a tractor rollover.
- Avoid operation on traction surfaces that are unstable; use extreme caution if the surface is slippery.
- Slow down before turning and come to a complete stop before any zero turn maneuver.
- Do not stop the tractor or park the tractor over combustible materials such as dry grass, leaves, debris, etc.
- Do not fill the fuel tank when the engine is running or while the engine is hot. Allow the engine several minutes to cool before refueling. Tighten the fuel cap securely.

### Safety Interlock Switches

This tractor is equipped with a safety interlock system for the protection of the operator. If the interlock system should ever malfunction, do not operate the tractor. Contact your Cub Cadet dealer.

- The safety interlock system prevents the engine from cranking or starting unless the parking brake is engaged, and the PTO knob is in the disengaged (OFF) position.
- The engine will automatically shut off if the operator leaves the seat before engaging the parking brake.

#### ⚠ WARNING

Do not operate the riding mower if the safety interlock system is malfunctioning. This system was designed for your safety and protection.

### Before Operating Your Tractor

1. Before you operate the tractor, study this manual carefully to familiarize yourself with the operation of all the instruments and controls. It has been prepared to help you operate and maintain your tractor efficiently.
2. Fill the fuel tank with only clean, fresh, unleaded gasoline with a pump sticker octane rating of 87 or higher and 10% ethanol maximum. When the fuel reaches one inch from the top of the tank, stop. DO NOT OVERFILL. Space must be left for expansion.
3. Unleaded gasoline is recommended because it leaves less combustion chamber deposits and reduces harmful exhaust emissions. Leaded gasoline is not recommended and must not be used where exhaust emissions are regulated.  
**Note:** Purchase gasoline in small quantities. Do not use gasoline left over from the previous season, to minimize gum deposits in the fuel system.
4. Gasohol (up to 10% ethyl alcohol, 90% unleaded gasoline by volume) is an approved fuel. Other gasoline/alcohol blends are not approved.
5. Methyl Tertiary Butyl Ether (MTBE) and unleaded gasoline blends (up to a maximum of 15% MTBE by volume) are approved fuels. Other gasoline/ether blends are not approved.
6. Check the engine oil level. Refer to the Engine Operator's manual for instructions on checking the engine oil level.
7. Clean the air cleaner element if necessary.
8. Check the tire inflation pressures. See the tire side wall for proper inflation pressures.  
**Note:** New tires are overinflated in order to properly seat the bead to the rim.
9. Check that all nuts, bolts and screws are tight.
10. Check the tension of the deck drive belts.
  - a. Remove the deck cover
  - b. The tension of the deck drive belts are maintained by a spring mechanism that adjusts for wear and stretch.

- c. Examine the belts for cuts, fraying, and excessive wear. Replace if any of these are detected.
- d. Replace the deck cover.

11. Check if deck is level. When correctly adjusted the mower deck should be level side to side, and the front of the deck should be approximately ¼" lower than the rear of deck. If deck needs to be leveled, refer to the Maintenance & Adjustments section.
12. Lubricate all pivot points listed in the Maintenance & Adjustments section.
13. Adjust the seat for operator's maximum comfort, visibility and for maintaining complete control of the tractor.

### Starting the Engine

#### ⚠ WARNING

This tractor is equipped with a safety interlock system designed for the protection of the operator. Do not operate the tractor if any part of the interlock system is malfunctioning. Periodically check the functions of the interlock system for proper operation.

#### ⚠ WARNING

For personal safety, the operator must be sitting in the tractor seat when starting the engine.

**Note:** Refer to the Engine Operator's Manual for oil fill-up instructions and refer to the Assembly & Set-Up section for gasoline fill-up instructions.

1. Open the fuel shut-off valve (if equipped) by selecting the right or left tank.
2. Operator must be sitting in the tractor seat.
3. Engage the parking brake by pressing forward on the brake pedal (a), then press down on the parking break/cruise control lever (b) and then release the brake pedal (a). Refer to Figure 3-1.

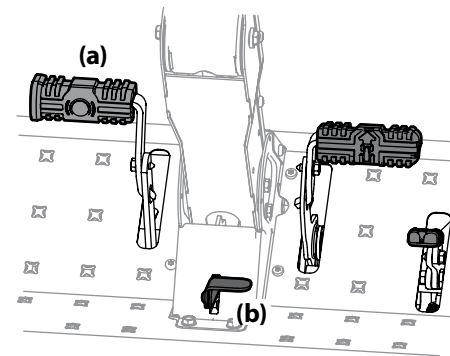


Figure 3-1

4. Make certain the PTO switch is in the disengaged (down) position.
5. Move the throttle control to midway between its SLOW and FAST positions.
6. Move the choke control into the CHOKE position.

**Note:** If the engine is warmed up, it may not be necessary to place the choke control in the CHOKE position.

- Turn the ignition key clockwise to the START position. After the engine starts, release the key. It will return to the NORMAL MOWING position.

#### CAUTION

Do NOT hold the key in the START position for longer than ten seconds at a time. Doing so may cause damage to your engine's electric starter.

- As the engine warms up, gradually push the choke control downward.
 

**Note:** Do NOT leave the choke control in the CHOKE position while operating the tractor. Doing so will result in a "rich" fuel mixture and cause the engine to run poorly.
- Allow the engine to run for a few minutes at mid throttle before putting the engine under load.
- Observe the hour meter/indicator panel. If the battery indicator light or oil pressure light come on, immediately stop the engine. Have the tractor inspected by your Cub Cadet dealer.

### Cold Weather Starting

When starting the engine at temperatures near or below freezing, ensure the correct viscosity motor oil is used in the engine and the battery is fully charged. Start the engine as follows:

- Be sure the battery is in good condition. A warm battery has much more starting capacity than a cold battery.
- Use fresh winter grade fuel. Winter grade gasoline has higher volatility to improve starting. Do not use gasoline left over from summer.
- Follow the previous instruction for Starting the Engine.

### Using Jumper Cables To Start Engine

#### WARNING

Batteries contain sulfuric acid and produce explosive gasses. Make certain the area is well ventilated, wear gloves and eye protection, and avoid sparks or flames near the battery.

If the battery charge is not sufficient to crank the engine, recharge the battery. If a battery charger is unavailable and the tractor must be started, the aid of a booster battery will be necessary. Connect the booster battery as follows:

- Connect the end of one cable to the disabled tractor battery's positive terminal; then connect the other end of that cable to the booster battery's positive terminal.
- Connect one end of the other cable to the booster battery's negative terminal; then connect the other end of that cable to the frame of the disabled tractor, as far from the battery as possible.
- Start the disabled tractor following the normal starting instructions previously provided; then disconnect the jumper cables in the exact reverse order of their connection.
- Have the tractor's electrical system checked and repaired as soon as possible to eliminate the need for jump starting.

### Stopping the Engine

- Place the PTO switch in the disengaged position.
- Engage the parking brake.
- Move the throttle to the SLOW position and allow the engine to idle for about one minute.
- Turn the ignition key to the STOP position and remove the key from the ignition switch.

**Note:** Always remove the key from the ignition switch to prevent accidental starting or battery discharge if the equipment is left unattended.

- Close the fuel shut-off valve.

### Driving The Tractor

#### WARNING

Avoid sudden starts, excessive speed and sudden stops.

- Release the parking brake. Move the throttle/choke control lever into the FAST position.
- To travel FORWARD, slowly press the forward drive pedal (a) forward until the desired speed is achieved. See Figure 3-2.

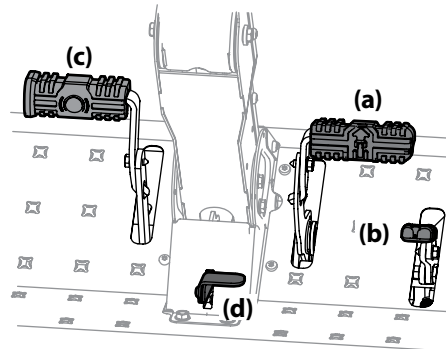


Figure 3-2

- To stop or slow down the tractor, take your foot off of the forward (a) or reverse drive (b) pedal. To lock the parking brake, press forward on the brake pedal (c), then press down on the parking break/cruise control (d) lever and then release the brake pedal.
- To use the cruise control:
  - Press down on the forward drive pedal (a).
  - While maintaining the desired speed press down on the parking break/cruise control lever (d) then release the forward drive pedal (a) to activate the cruise control.
- To release the cruise control, press the brake pedal (c) or the forward drive pedal (a).

**Note:** The forward (a) and reverse drive pedals (b) must not be used when the brake is partially engaged. When the brake is locked the drive belt is disengaged but if the brake is only part way back then the brakes are engaged but so is the drive belt so transmission damage will occur if you push forward or reverse.

- To travel in reverse, check that the area behind is clear then slowly push forward on the reverse drive pedal with the ball of your foot (NOT your heel) until the desired speed is achieved. See Figure 3-2.


#### CAUTION

Do NOT attempt to change the direction of travel when the tractor is in motion. Always bring the tractor to a complete stop before moving the tractor from forward to reverse or vice versa

#### WARNING

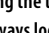
Do not leave the seat of the tractor without first placing the PTO knob in the disengaged (OFF) position and engaging the parking brake. If leaving the tractor unattended, also turn the engine off and remove the key.

### Reverse Caution Mode

The REVERSE CAUTION MODE  position of the ignition module allows the tractor to be operated in reverse with the blades (PTO) engaged.



**Note:** Mowing in reverse is not recommended.

#### WARNING

Use extreme caution while operating the tractor in the REVERSE CAUTION MODE . Always look down and behind before and while backing. Do not operate the tractor when children or others are around. Stop the tractor immediately if someone enters the area.

To use the REVERSE CAUTION MODE :

**Note:** The operator MUST be seated in the tractor seat.

- Start the engine as previously instructed.
- Turn the key from the NORMAL MOWING  (a) position to the REVERSE CAUTION MODE  (b) position of the ignition module. See Figure 3-3.

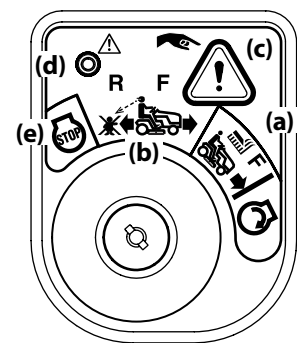

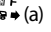





Figure 3-3

- Press the REVERSE PUSH BUTTON  (c) at the top, right corner of the ignition module. The red indicator light (d) at the top, left corner of the ignition module will be ON while activated. See Figure 3-3.
- Once activated (indicator light ON), the tractor can be driven in reverse with the cutting blades (PTO) engaged.
- Always look down and behind before and while backing to make sure no children are around. After resuming forward motion, return key to the NORMAL MOWING  (a) position.

6. The REVERSE CAUTION MODE (B)  will remain activated until:
- The key is placed in either the NORMAL MOWING  (a) position or STOP  (e) position or
  - The operator leaves the seat.

### Driving On Slopes

Refer to the slope gauge in the Safe Operation Practices section to help determine slopes where you may not operate safely.

<b>▲ WARNING</b>
Do not operate on inclines with a slope in excess of 15 degrees (a rise of approximately 2-½ feet every 10 feet). The tractor could overturn and cause serious injury.

- Mow across slopes, not up and down.
- Exercise extreme caution when changing direction on slopes.
- Watch for holes, ruts, bumps, rocks, or other hidden objects. Uneven terrain could overturn the machine. Tall grass can hide obstacles.
- Do not turn on slopes unless necessary; then turn slowly uphill and use extra care while turning. Turning up a slope greatly increases the chance of a rollover.
- Avoid stopping when driving up a slope. If it is necessary to stop while driving up a slope, start up smoothly and carefully to reduce the possibility of flipping the tractor over backward.

### Operating the PTO

Operate the PTO clutch as follows:

**Note:** During your units initial break-in period, in order to engage the PTO and avoid engine stall, allow the engine to warm before engaging the PTO. Break-In period varies depending on your engine.

- Move the throttle control lever to the FAST position.
- Pull the PTO switch upward to the ENGAGED position.
- The operator must remain in the tractor seat at all times. If the operator should leave the seat without disengaging the PTO, the tractor's engine will shut off.
- The PTO clutch cannot be operated when the tractor is driving in the reverse direction. The PTO will disengage when both drive control levers are moved to the reverse position and will re-engage when one (or both) control lever(s) is moved to the neutral or forward position.

### Mowing

<b>▲ WARNING</b>
To help avoid blade contact or a thrown object injury, keep bystanders, helpers, children and pets at least 75 feet from the machine while it is in operation. Stop machine if anyone enters the area.

<b>▲ WARNING</b>
Make certain the area to be mowed is free of debris, sticks, stones, wire or other objects that can be thrown by the rotating blades.

<b>▲ WARNING</b>
Plan your mowing pattern to avoid discharge of materials toward roads, sidewalks, bystanders and the like. Also, avoid discharging material against a wall or obstruction which may cause discharged material to ricochet back toward the operator.

<b>▲ WARNING</b>
Be careful when crossing gravel paths or driveways. Disengage the PTO and raise the deck to the highest position before crossing.

**Note:** Do not engage the mower deck when lowered in grass. Premature wear and possible failure of the "V" belt and PTO clutch will result. Fully raise the deck or move to a non grassy area before engaging the mower deck.

- Mow across slopes, not up and down. If mowing a slope, start at bottom and work upward to ensure turns are made uphill.
- Do not mow at high ground speed, especially if a mulch kit or grass collector is installed.
- Do not cut the grass too short. Short grass is prone to weed growth and yellows quickly in dry weather.
- Always operate the tractor with the throttle in the FAST position while mowing.
- On the first pass pick a point on the opposite side of the area to be mowed.
- Engage the PTO clutch using the PTO switch and move the throttle control or throttle/choke control to the FAST position.
- Lower the mower deck to the desired height setting using the lift handle.
- Slowly and evenly push the forward drive control pedal forward to move the tractor forward, and keep the tractor headed directly toward the alignment point
- For best results it is recommended that the first two laps be cut with the discharge thrown towards the center. After the first two laps, reverse the direction to throw the discharge to the outside for the balance of cutting. This will give a better appearance to the lawn.
- Do NOT attempt to mow heavy brush and weeds or extremely tall grass. Your tractor is designed to mow lawns, NOT clear brush.
- Keep the blades sharp and replace the blades when worn.

- When approaching the other end of the strip, slow down or stop before turning. A U-turn is recommended unless a pivot or zero turn is required.
  - Align the mower with an edge of the mowed strip and overlap approximately 3".
  - Direct the tractor on each subsequent strip to align with a previously cut strip.
  - To prevent rutting or grooving of the turf, if possible, change the direction that the strips are mowed by approximately 45° for the next and each subsequent mowing.
- Note:** When stopping the tractor for any reason while on a grass surface, always:
- Engage the parking brake,
  - Shut engine off and remove the key.
  - Doing so will minimize the possibility of having your lawn "browned" by hot exhaust from your tractor's running engine.

### Deck Lift Lever

To raise or lower the cutting deck, depress the button on the end of the handle and push downward to lower the deck, or pull upward to raise the deck, then place it in the hole best suited for your application. To place the deck in the transport position, lift the handle all the way up and hang the top hook on the handle from the upper spacer on the deck height index bracket. See Figure 3-4.

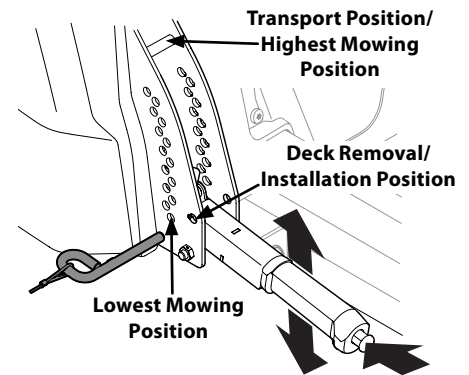


Figure 3-4

**Note:** Make certain the deck is secured and the pin is fully inserted into the deck height index. The pin is keyed to help keep it in place and fits into the slotted holes on the deck height index.

**Note:** The deck lift handle must always be above the pin, never hang the deck lift handle from the pin when mowing.

## Maintenance Schedule

	Before Each use	After First 5 Hours	Every 10 Hours	Every 25 Hours	Every 50 Hours	Every 100 Hours	Prior to Storing	See Engine Manual
Check Intake Screen/Clean as Needed	✓						✓	
Check & Clean Engine Cooling Fans for Debris	✓						✓	
Check Engine Oil Level	✓							
Check Air Filter for Dirty, Loose or Damaged Parts	✓							
Clean Transmission Cooling Slots	✓							
Clean Battery Terminals			✓				✓	
Grease All Lubrication Points			✓				✓	
Check Blades/Sharpen or Replace as Needed			✓				✓	
Check Tire Pressure			✓				✓	
Lube Front Wheels			✓				✓	
Check/Clean Underside of Deck			✓					
Inspect & Lube Deck Wheels				✓			✓	
Check Deck Level/Pitch				✓			✓	
Lube Deck Spindles				✓			✓	
Check Belts & Pulleys for Damage/Wear					✓			
Check That All Hardware is in Place & Secure						✓		
Check & Clean Under Floorboard	✓						✓	
Check Spark Plug Condition & Gap						✓	✓	✓
Engine Break-In Oil Change		✓						✓
Change Engine Oil					✓		✓	✓
Replace Oil Filter					✓		✓	✓
Clean or Change Air Filter					✓			✓
Replace Fuel Filter					✓			✓
Have Valve Lash Checked & Adjusted *								✓

\* -- Have this item performed by an authorized service dealer

**Note:** This Operator's Manual covers several models. Tractor features may vary by model. Not all features in this manual are applicable to all tractor models and the tractor depicted may differ from yours.

## Troubleshooting

### Excessive vibration

- Cutting blade loose or unbalanced.
  - Tighten blade and spindle.
- Damaged or bent cutting blade.
  - Replace blade.

### Uneven cut

- Deck not leveled properly.
  - Perform side-to-side deck adjustment.
- Dull blade.
  - Sharpen or replace blade.
- Uneven tire pressure.
  - Check tire pressure in all four tires.

### Tractor will not mulch grass (If equipped w/ mulching kit)

- Engine speed too low.
  - Place throttle in FAST (rabbit) position.
- Wet grass.
  - Do not mulch when grass is wet.
- Excessively high grass.
  - Mow once at a high cutting height, then mow again at desired height or make a narrower cutting swath.
- Dull blade.
  - Sharpen or replace blade.

## Maintenance

### ⚠ WARNING

Before performing any maintenance or repairs, disengage the PTO, move the drive control levers fully outward in the neutral position engaging the parking brake, stop the engine and remove the key to prevent unintended starting.

### Engine

Refer to the engine operator's manual for all engine maintenance procedures and instructions.

**Note:** Maintenance, repair, or replacement of the emission control devices and systems which are being done at owner's expense may be performed by any engine repair establishment or individual. **Warranty repairs must be performed by an authorized service dealer.**

### Changing the Engine Oil

### ⚠ WARNING

If the engine has been recently run, the engine, muffler and surrounding metal surfaces will be hot and can cause burns to the skin. Exercise caution to avoid burns.

To complete an oil change, proceed as follows:

- Run the engine for a short time to warm the engine oil. The oil will flow more freely and carry away more impurities. Use care to avoid burns from hot oil.

- Locate the oil drain hose (a) on the right side of the engine. See Figure 4-1.

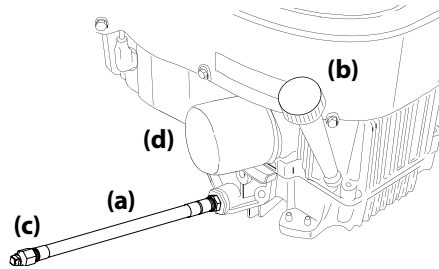


Figure 4-1

- Route the free end of the oil drain hose (a) toward an appropriate oil collection container with at least a 2.5 quart capacity, to collect the used oil. Remove the oil fill cap/dipstick (b) from the oil fill tube.
- While holding the free end of the oil drain hose (a) over the oil collection container, unscrew the square head hose plug (c) from the end of the oil drain hose (a). See Figure 4-1. Drain the engine oil into the collection container.
- After draining the oil, wipe any residual oil from the oil drain hose (a). Thread the square head hose plug (c) into the oil drain hose (b) fitting and fully tighten the square head hose plug (c).
- Replace the oil filter (d), and refill the engine with new oil as instructed in the Engine Operator's Manual.

### Cleaning & Lubricating the Spindle Pulleys

Once a month remove the belt covers to remove any accumulation of grass clippings from around the spindle pulleys and V-belt. Clean more often when mowing tall, dry grass.

Every 25 hours, lubricate the deck spindles. Locate the spindle lube fitting and using a grease gun, lubricate the spindles. The spindle holds 2.3 ounces of grease. See Figure 4-2.

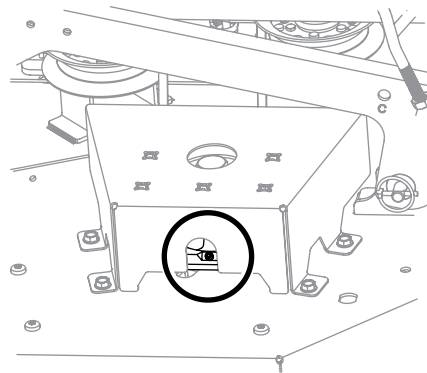


Figure 4-2

## Lubrication



**WARNING!** Before lubricating, repairing, or inspecting, always disengage PTO, set parking brake, stop engine and remove key to prevent unintended starting.

### Pivot Points & Linkage

Lubricate all the pivot points on the drive system, parking brake and lift linkage at least once a season with light oil.

### Front Wheels

Each of the front wheel axles and rims is equipped with grease fittings. See Figure 4-3. Lubricate with a No. 2 multi-purpose grease applied with a grease gun after every 25 hours of tractor operation.

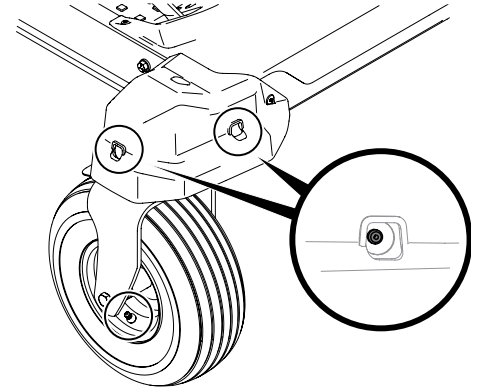


Figure 4-3

### Cleaning the Transmission Cooling Slots

Keep both sides of transmission cooling slots on the frame between the engine and the seat box clear of grass clippings and leaves.

### ⚠ WARNING

If the engine has been recently run, the engine, muffler and surrounding metal surfaces will be hot and can cause burns to the skin. Exercise caution to avoid burns.

### Using the Deck Wash System

### ⚠ WARNING

When using the deck wash system, never engage the deck from any position other than the operator's seat of the tractor. Do not use an assistant or engage deck in the presence of any bystanders.

- Attach the nozzle adapter to a standard garden hose connected to a water supply.
- Move the tractor to an area within reach of the hose where the dispersal of wet grass clippings is acceptable to you. Disengage the PTO, engage the parking brake and stop the engine.



3. Pull back the lock collar (a) of the nozzle adapter (b) and push the nozzle adapter (b) onto one of the deck wash nozzles (c) at either end of the tractor deck. Release the lock collar (a) to lock the nozzle adapter (b) on the deck wash nozzle (c). See Figure 4-4.

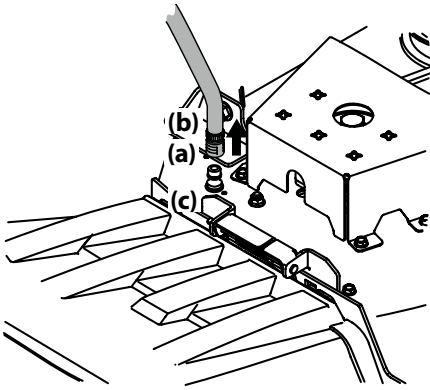


Figure 4-4

4. Turn on the water supply.
5. From the tractor operator's seat, start the engine and engage the PTO. Allow to run as needed. Disengage the PTO and stop the engine.
6. Turn off the water supply.
7. Pull back the lock collar (a) of the nozzle adapter (b) to disconnect the nozzle adapter (b) from the deck wash nozzle (c).
8. Repeat the previous steps to clean the deck using the deck wash nozzle (c) at the other end of the deck.

## Tires

Check the tire air pressure after every 50 hours of operation or weekly. Keep the tires inflated to the recommended pressures. Improper inflation will shorten the tire service life. See the tire side wall for proper inflation pressures. Observe the following guidelines:

- Do not inflate a tire above the maximum pressure shown on the sidewall of the tire.
- Do not reinflate a tire that has been run flat or seriously under inflated. Have it inspected and serviced by a qualified tire mechanic.

## General Battery Information

### ⚠ WARNING

Should battery acid accidentally splatter into the eyes or onto the skin, rinse the affected area immediately with clean cold water. If there is any further discomfort, seek prompt medical attention.

If acid spills on clothing, first dilute it with clean water, then neutralize with a solution of ammonia/water or baking soda/water.

NEVER connect (or disconnect) battery charger clips to the battery while the charger is turned on, as it can cause sparks.

Keep all sources of ignition (cigarettes, matches, lighters) away from the battery. The gas generated during charging can be combustible.

As a further precaution, only charge the battery in a well ventilated area.

Always shield eyes and protect skin and clothing when working near batteries.

Batteries contain sulfuric acid and may emit explosive gases. Use extreme caution when handling batteries. Keep batteries out of the reach of children.

### Battery Maintenance

- The battery is filled with battery acid and then sealed at the factory. However, even a "maintenance free" battery requires some maintenance to ensure its proper life cycle.
- Spray the terminals and exposed wire with a battery terminal sealer, or coat the terminals with a thin coat of grease or petroleum jelly, to protect against corrosion.
- Always keep the battery cables and terminals clean and free of corrosion.
- Avoid tipping. Even a sealed battery will leak electrolyte when tipped.

### ⚠ WARNING

Batteries contain sulfuric acid and may emit explosive gases. Use extreme caution when handling batteries. Keep batteries out of the reach of children.

### Battery Storage

1. When storing the tractor for extended periods, disconnect the negative battery cable. It is not necessary to remove the battery.
2. All batteries discharge during storage. Keep the exterior of the battery clean, especially the top. A dirty battery will discharge more rapidly.
3. The battery must be stored with a full charge. A discharged battery can freeze sooner than a charged battery. A fully charged battery will store longer in cold temperatures than hot.
4. Recharge the battery before returning to service. Although the tractor may start, the engine charging system may not fully recharge the battery.

## Hydrostatic Transmission

Your zero turn tractor is equipped with dual integrated hydrostatic pumps/transaxles that are sealed and are maintenance-free. However, this model is equipped with a transmission oil expansion reservoir. Under normal operating conditions, the oil level in the expansion reservoir does not need to be checked and no additional oil is needed. If checking the reservoir oil level, proceed as follows:

### ⚠ WARNING

Check the oil level ONLY before starting the tractor when the transmission oil is fully cooled.

1. Pivot the operator's seat forward and clean the reservoir cap and the area around the cap to prevent debris from contaminating the transmission oil. See Figure 4-5.

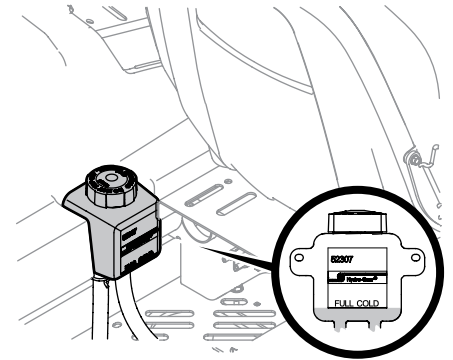


Figure 4-5

2. Turn the reservoir cap counterclockwise to re-move, then check the oil level in the reservoir. Oil should be visible at the bottom of the cup, but the oil level must NOT be above the "FULL COLD" line. See Figure 4-5. DO NOT FILL THE RESERVOIR.
3. If necessary to add oil because of some type of leakage, use a quality 20W50 motor oil and add only enough oil to bring the level to the "FULL COLD" line. Reinstall the cap and fully tighten.
 

**Note:** Prior to the initial operation of the tractor, the oil level in the reservoir may be slightly higher than the maximum due to air in the oil lines. Operation of the tractor will eventually purge the air from the lines and the oil level will settle to the maximum.

## Tractor Storage

If your tractor is not going to be operated for an extended period of time (thirty days to approximately six months), the tractor should be prepared for storage. Store the tractor in a dry and protected location. If stored outside, cover the tractor (including the tires) to protect it from the elements. The procedures outlined below should be performed whenever the tractor is placed in storage.

1. Change the engine oil and filter following the instructions provided in the engine manual packed with this manual.

### ⚠ WARNING

Never store the tractor with fuel in the tank indoors or in poorly ventilated enclosures, where fuel fumes may reach an open flame, spark or pilot light as on a furnace, water heater, clothes dryer, etc.

2. If storing the tractor for 30 days or more:
  - a. To prevent gum deposits from forming inside the engine's carburetor and causing possible malfunction of the engine, the fuel system must be either completely emptied, or the gasoline must be treated with a stabilizer to prevent deterioration.

**⚠ WARNING**

Fuel left in the fuel tank deteriorates and will cause serious starting problems.

- b. Using a fuel stabilizer for storage between 30 and 90 days:
  - Read the product manufacturer's instructions and recommendations.
  - Add to clean, fresh gasoline the correct amount of stabilizer for the capacity (approximately 3 gallons) of the fuel system.
  - Fill the fuel tank with treated fuel and run the engine for 2-3 minutes to get stabilized fuel into the carburetor.
- c. Emptying the fuel system for storage of more than 90 days:
  - Prior to putting the tractor in storage, monitor fuel consumption with the goal of running the fuel tank empty.
  - Run the engine until it begins to stall. Use the choke to keep the engine running until all fuel in the carburetor has been exhausted.
  - Referring to the engine manual, drain the fuel from the carburetor bowl.
3. Clean the engine and the entire tractor thoroughly.
4. Fully charge the battery, then disconnect the negative cable at the battery to prevent possible discharge. Recharge the battery periodically when in storage.
 

**Note:** Remove the battery if exposed to prolonged periods of sub-freezing temperatures. Store in a cool, dry location where temperatures are above freezing.
5. Lubricate all lubrication points.
 

**Note:** Using a pressure washer or garden hose is not recommended for cleaning your tractor. It may cause damage to electrical components, spindles, pulleys, bearings or the engine. The use of water will result in shortened life and reduce serviceability.

### Removing The Tractor From Storage

1. Check the engine oil.
2. Fully charge the battery and inflate the tires to the recommended pressure.
3. Fill the fuel tank with clean, fresh gasoline.
4. Start the engine and allow to idle for a few minutes to ensure engine is operating properly.
5. Drive the tractor without a load to make certain all the tractor systems are functioning properly.

### Adjustments



**WARNING!** Shut the engine off, remove the ignition key and engage the parking brake before making adjustments. Protect your hands by using heavy gloves when handling

the blades.

### Deck Leveling

**Note:** Check the tractor's tire pressure before performing any deck leveling adjustments. Refer to Tires for information regarding tire pressure.

**⚠ WARNING**

Shut the engine off, remove the ignition key and engage the parking brake before making adjustments. Protect your hands by using heavy gloves when handling the blades.

### Leveling the Deck (Side-to-Side)

**Note:** Check the tractor's tire pressure before performing any deck leveling adjustments. Refer to Tires for information regarding tire pressure. Always level the deck side-to-side before front to rear.

If the cutting deck appears to be mowing unevenly, a side-to-side adjustment can be performed. Adjust if necessary as follows:

1. With the tractor parked on a firm, level surface, place the deck lift handle in a middle mowing position and rotate both outside blades so that they are perpendicular with the tractor.
2. Measure the distance from the outside of the left blade tip to the ground and the distance from the outside of the right blade tip to the ground. Both measurements taken should be equal. If they're not, proceed to the next step.
3. Loosen the lower jam nut (a) on the adjustable lift link (b) attached to the deck lift arm (c) to lower the deck and tighten the upper jam nut (d) to secure the deck in place, loosen the upper jam nut (d) then tighten the lower jam nut (a) to raise the deck and secure the deck in place. See Figure 4-6.

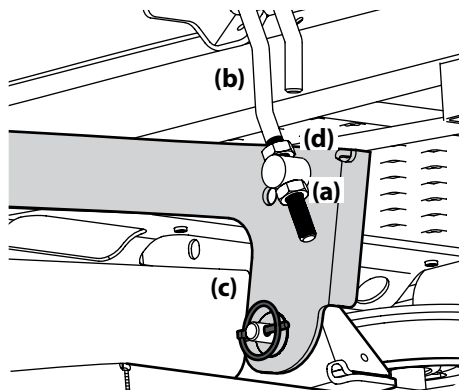


Figure 4-6

4. The deck is properly leveled when both blade tip measurements are equal.

### Leveling the Deck (Front-To-Rear)

**Note:** Check the tractor's tire pressure before performing any deck leveling adjustments. Refer to Tires for information regarding tire pressure. Always level the deck side-to-side before front to rear.

The front of the deck should be between 1/4-3/8" lower than the rear of the deck. Adjust if necessary as follows:

1. Park the tractor on a firm, level surface and place the deck lift handle in a middle position.
2. Rotate the blade nearest the discharge chute so that it is parallel with the tractor.
3. Measure the distance from the front of the blade tip to the ground and the rear of the blade tip to the ground. The first measurement taken should be between 1/4" and 3/8" less than the second measurement.
4. Determine the approximate distance necessary for proper adjustment and proceed, if necessary.
5. Using a wrench, raise the front of deck by loosening the lock nuts (a) to the front of the pivot pin (b) and then tighten the jam nuts (c) on the back of the pivot pin to raise the front of the deck and secure in place. See Figure 4-7.

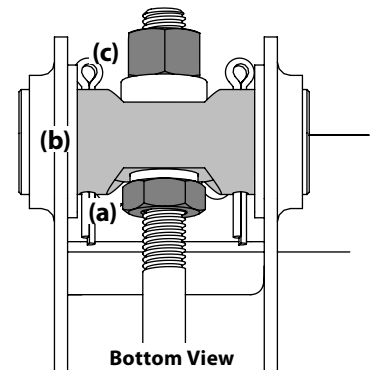


Figure 4-7

6. Using a wrench, lower the front of deck by loosening the jam nuts (c) on the back of the pivot pin (b) and then tighten the lock nut (a) on the front of the pivot pin to lower the front of the deck and secure in place. See Figure 4-7.
7. The deck is properly leveled when the front tip of the blade is 1/4" lower than the rear tip.

### Adjusting the Front Gauge Wheels

**⚠ WARNING**

Keep hands and feet away from the discharge opening of the cutting deck.

The front gauge wheels on the tractor deck are an anti-scalp feature, and should not ride on the ground. The front gauge wheels should be approximately 1/4-1/2" above the ground when the deck is set in the desired height setting.

Using the deck lift handle, set the deck in the desired height setting, then check the gauge wheel distance from the ground below. If necessary adjust the front gauge wheels as follows:

1. Visually check the distance between the front gauge wheels and the ground. If the gauge wheels are near or touching the ground, they should be raised. If more than ½" above the ground, they should be lowered.
2. Remove the lock nut (a) securing one of the front gauge wheel (b) hex screws (c) to the deck. Remove the front gauge wheel (b), hex screw (c) and spacer (d). See Figure 4-8.

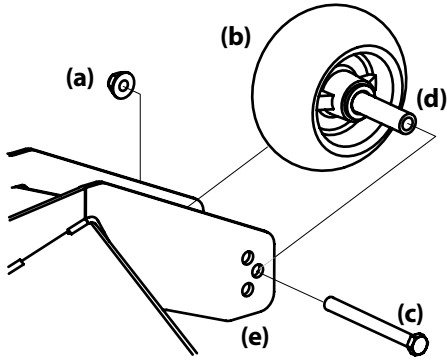


Figure 4-8

3. Insert the hex screw (c) into the one of three index holes in the front gauge wheel bracket (e) that will give the front gauge wheel (b) a ¼-½" clearance with the ground.
4. Note the index hole of the just adjusted front gauge wheel (b), and adjust the other front gauge wheel (b) into the respective index hole of the other front gauge wheel bracket (e).

### Parking Brake Adjustment

If the tractor does not come to a complete stop when the brake pedal is completely engaged, or if the tractor's rear wheels can roll with the parking brake applied (and the hydrostatic relief valve open), the brake is in need of adjustment. See your Cub Cadet dealer to have the brake properly adjusted.

### Off-Season Storage

#### Tractor Storage

If your tractor is not going to be operated for an extended period of time (thirty days to approximately six months), the tractor should be prepared for storage. Store the tractor in a dry and protected location. If stored outside, cover the tractor (including the tires) to protect it from the elements. The procedures outlined below should be performed whenever the tractor is placed in storage.

1. Change the engine oil and filter following the instructions provided in the Engine Operator's Manual.

#### ▲ WARNING

Never store the tractor with fuel in the tank indoors or in poorly ventilated enclosures, where fuel fumes may reach an open flame, spark or pilot light as on a furnace, water heater, clothes dryer, etc.

2. Service the engine as instructed in the separate Engine Operator's Manual.

3. Engines stored between 30 and 90 days need to be treated with a gasoline stabilizer and engines stored over 90 days need to be drained of fuel to prevent deterioration and gum from forming in fuel system or on essential carburetor parts. If the gasoline in your engine deteriorates during storage, you may need to have the carburetor, and other fuel system components, serviced or replaced.

#### ▲ WARNING

Drain fuel only into unapproved container outdoors, away from an open flame. Allow engine to cool. Extinguish cigarettes, cigars, pipes, and other sources of ignition prior to draining fuel.

3. Remove the spark plugs and pour approximately one ounce of oil into each cylinder. Crank the engine one or two turns to spread the oil evenly on the cylinder walls. Replace the spark plugs.
4. Clean the engine and the entire tractor thoroughly.
 

**Note:** Use of a pressure washer or garden hose is not recommended to clean your tractor. They may cause damage to electrical components, spindles, pulleys, bearings or the engine. The use of water will result in shortened life and reduce serviceability.
5. Sharpen the blades so that the tractor will be ready to use when needed.
6. Protect the metal surfaces. Repair scratches with the appropriate touch-up spray paint. Brush a rust preventive oil on any unpainted surfaces including the pulleys and blades. (Be careful not to get any oil on the drive belts.)
7. Clean and fully charge the battery, then disconnect the negative cable at the battery to prevent possible discharge. Recharge the battery periodically when in storage.
 

**Note:** Remove the battery if exposed to prolonged periods of sub-freezing temperatures. Store in a cool, dry location where temperatures are above freezing.
8. Lubricate all lubrication points.
9. Jack the tractor up and store it on blocks to take the weight off of the tires.

### Removing the Tractor from Storage

1. Check the engine oil.
2. Fully charge the battery, lower tractor off blocks, and inflate the tires to the recommended pressure.
3. Remove the spark plugs and wipe them off. Using the starter, crank the engine to pump the excess oil out of the spark plug holes. Replace the spark plugs and the ignition leads.
4. If drained before storing, fill the fuel tank with clean, fresh gasoline.
5. Check the level of the engine oil in the crankcase and the hydraulic reservoir tank.
6. Start the engine and allow to idle for a few minutes to ensure engine is operating properly.
7. Drive the tractor without a load to make certain all the tractor systems are functioning properly.

### Service

#### Battery Removal

#### ▲ WARNING

Battery posts, terminals and related accessories contain lead and lead compounds. Wash hands after handling.

The battery is located beneath the seat frame. To remove the battery:

1. Remove the hex washer screw (a) securing the battery hold-down bracket (b) to the frame. Then flip the battery hold-down bracket (b) up to free the battery. See Figure 4-9.

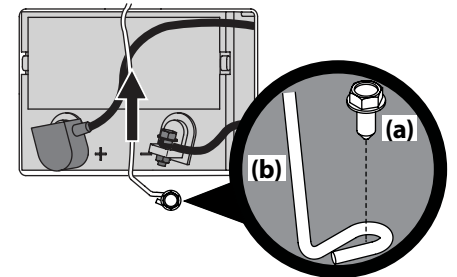


Figure 4-9

2. Remove the hex cap screw and sems nut securing the black negative battery lead to the negative battery post (marked NEG). Move the cable away from the negative battery post.
3. Remove the hex cap screw and sems nut securing the red positive battery lead to the positive battery post (marked POS).
4. Carefully lift the battery out of the tractor.
5. Install the battery by repeating the above steps in the reverse order.

#### ▲ WARNING

Always connect the positive lead to the battery before connecting the negative lead. This will prevent sparking or possible injury from an electrical short caused by contacting the tractor body with tools being used to connect the cables.

## Charging the Battery

Test and, if necessary, recharge the battery after the tractor has been stored for a period of time.

- A voltmeter or load tester should read 12.6 volts (DC) or higher across the battery terminals. See Figure 4-10.

Voltmeter Reading	State of Charge	Charging Time
12.7	100%	Full Charge
12.4	75%	90 Min.
12.2	50%	180 Min.
12.0	25%	280 Min.

Figure 4-10

- Charge the battery with a 12-volt battery charger at a MAXIMUM rate of 10 amps.

## Servicing Electrical System

A fuse is installed to protect the tractor's electrical system from damage caused by excessive amperage. Always use the same capacity fuse for replacement. If the electrical system does not function, check for a blown fuse.

If you have a recurring problem with blown fuses, have the tractor's electrical system checked by your authorized service dealer.

## Relays and Switches

There are several safety switches in the electrical system. If a function of the safety interlock system described earlier is not functioning properly, have the electrical system checked by your authorized service dealer.

## Parking Brake Adjustment

If the tractor does not come to a complete stop when the control levers are moved fully outward engaging the parking brake, or if the tractor's rear wheels can roll with the parking brake engaged (and the hydrostatic relief valve open), the brake is in need of adjustment. See your authorized service dealer to have the brake adjusted.

## Deck Removal

Remove the tractor deck from the tractor as follows:

- Move the tractor to a level surface, disengage the PTO, stop the engine place the control levers in the neutral/parking brake engaged position.
- Move the deck gauge wheels or rollers to their highest setting (lowest deck setting).
- Remove the 'V' belt from the PTO pulley, located on the bottom of the engine, using one of the following two methods.

### ⚠ WARNING

The muffler at the rear of the tractor may be extremely hot, and could cause serious burns. Use extreme caution when near the muffler. Allow the muffler to fully cool before removing the belt from the PTO pulley.

- Releasing belt tension with the idler pulley:
  - Using the deck lift handle, raise the deck to the position that provides the most horizontal run of the belt between the deck idler pulleys and the PTO pulley on the bottom of the engine. See Figure 4-11.

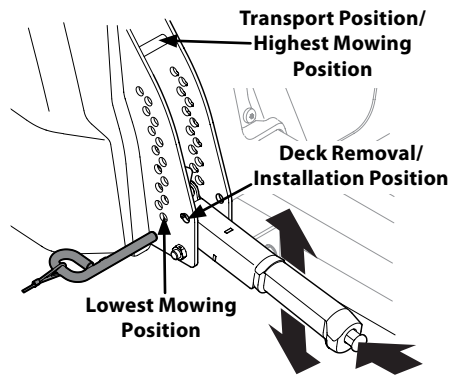


Figure 4-11

- Working from the middle of the tractor, pivot the idler bracket and movable idler pulley rearward away from the backside of the 'V' belt (a) just far enough to lift the belt up and over the idler pulley (b). See Figure 4-12.

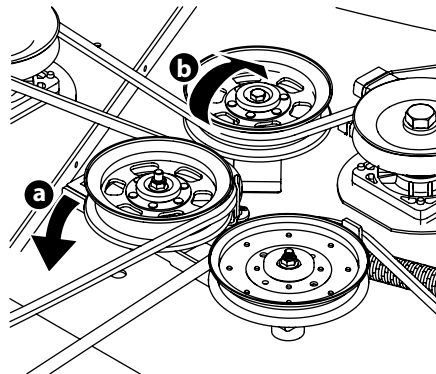


Figure 4-12

- From beneath the rear of the tractor, slide the belt off of the PTO pulley on the bottom of the engine.
  - Lower the deck into the deck removal/installation position using the deck lift handle. See Figure 4-11.
  - Skip ahead to step 6.
- Rolling the belt off the PTO pulley:
    - Using the deck lift handle, raise the deck to the position that provides the most horizontal run of the belt between the deck idler pulleys and the PTO pulley on the bottom of the engine.
    - Sitting behind the tractor facing forward, reach beneath the tractor to grasp the belt at the front of the PTO pulley.

### ⚠ WARNING

Use caution to avoid pinching your fingers when rolling the belt off the PTO pulley.

- Pull the left side of the belt rearward and downward while manually turning the PTO pulley to the right until the belt rides out onto the edge of the lower sheave of the pulley.

**Note:** If pulling the right side of the belt, turn the pulley left.

- While still holding the PTO belt (a) downward, continue turning the PTO pulley (b) until the PTO belt (a) is rolled off the PTO pulley (b). Refer to Figure 4-13.

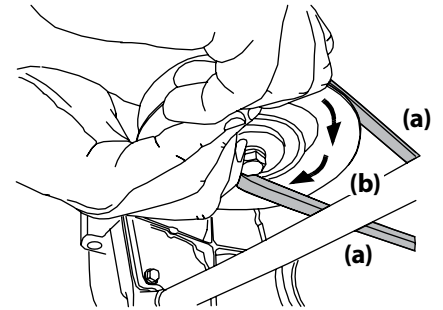


Figure 4-13

- Lower the deck into the deck removal/installation position using the deck lift handle. See Figure 4-11.
  - Move on to step 6.
- Locate the LH and RH deck release pins (a) on each side of the deck. Pull the deck release pins (a) outward and release the deck from the LH and RH deck lift arms (b). See Figure 4-14.

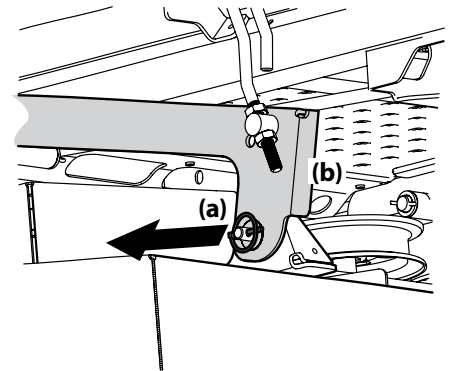


Figure 4-14

### ⚠ CAUTION

There is a certain amount of spring tension due to the weight of the deck. When removing the lift linkage from the deck the tension of the springs will go from the deck to the deck lift handle and snap back.

- Slide the front deck lift rod off the hanger brackets on the front of the deck
- Place the deck lift handle into the highest mowing position and slide the deck out from the right side of the tractor.

## Deck Installation

Install the deck on the tractor as follows:

1. Place the deck lift handle in the highest mowing position. See Figure 4-11.
2. Slide the deck under the tractor on the right side of the tractor lining up the deck hanger brackets and the deck lift arms.
3. Once the deck is under the tractor, move the deck lift handle to the lowest mowing position.
 

**Note:** To line the brackets up properly, it may be necessary to place a small block of wood under each side of the deck.
4. Hook the front deck lift rod onto the hanger brackets on the front of the deck.
5. Pull the deck release pins outward and maneuver the deck as necessary to align the holes in the deck lift arms with the pins. Refer to Figure 4-14.
6. When aligned, push each deck release pin fully inward through the deck lift arms to secure the deck lift arms in the rear hanger bracket slots.
7. Make certain the 'V' belt is in the spindle pulleys on the deck; then route the belt rearward beneath the tractor frame, above the transmission tube(s), to the PTO pulley on the bottom of the engine.
8. Using the deck lift handle, raise the deck to the position that provides the most horizontal run of the belt between the deck idler pulleys and the PTO pulley on the bottom of the engine.
9. Make certain the belt is in the spindle pulleys of the deck, and that the backside of the belt is against both the fixed and movable idler pulleys.
10. Sitting behind the tractor, facing forward, make certain the belt is not twisted; then reach beneath the tractor to grasp the belt and pull it toward the PTO pulley.

### ⚠ WARNING

Use caution to avoid pinching your fingers when rolling the belt onto the PTO pulley.

11. Pull the right side of the PTO belt rearward and place the narrow V-side of the PTO belt into the PTO pulley. See Figure 4-13.
12. While holding the PTO belt and PTO pulley together, rotate the PTO pulley to the left (See Figure 4-13). Continue holding and rotating the PTO pulley and PTO belt until the PTO belt is fully rolled into the PTO pulley.

**NOTE:** Before using the tractor double-check the belt routing to make sure that the belt has been routed properly.

## Replacing the Belt

1. Remove the deck from beneath the tractor, (refer to Deck Removal).

2. Remove the hex washer screws (a) securing the belt covers (b) to the deck. See Figure 4-15.

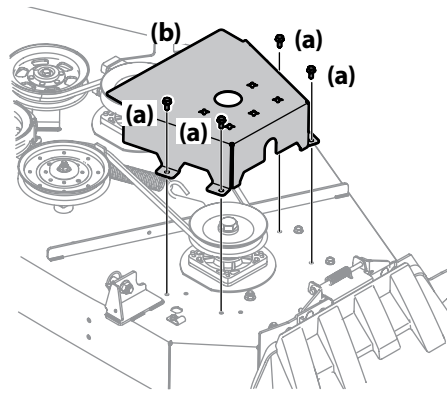


Figure 4-15

3. Remove the two idler pulleys (a & b) by removing the hex screws (c) and flange lock nuts (d) that secure them to the deck and the idler arm (e). See Figure 4-15. Do not lose any of the hardware (pulley caps (f), washers, belt guards (g) (if equipped)) when removing the hex screw (c) and flange lock nut (d).

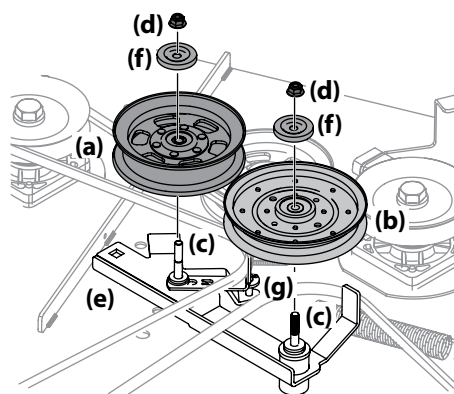


Figure 4-16

**Note:** Take note of the position of the belt guards (g) to ensure they are properly re-installed.

4. Remove the belt from the spindle pulleys.
5. Install the new belt around the spindle pulleys as shown and reinstall the belt covers (b). See Figure 4-15.
6. Place the belt around the idler pulleys removed in step 3 with the "V" side facing in. Once in place, reinstall all the hardware and tighten the flange lock nut to secure the assembly. See Figure 4-17.

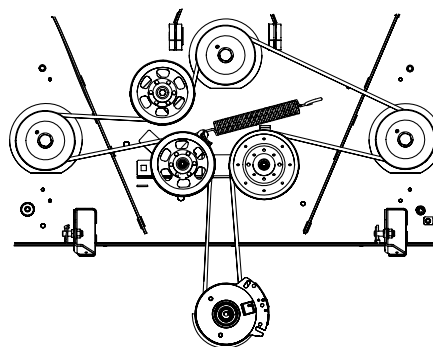


Figure 4-17

7. Route the belt as shown in Figure 4-17 and then reinstall the deck (refer to Deck Installation).

## Tractor Blade Care

### ⚠ WARNING

Before performing any maintenance, place the PTO switch in the "OFF" position, engage the parking brake lever, turn the ignition key to the "OFF" position and remove the key from the switch. Protect your hands by using heavy gloves when handling the blades. When servicing the tractor deck, be careful not to cut yourself on the sharpened blades.

The cutting blades must be kept sharp at all times. Sharpen the cutting edges of the blades evenly so that the blades remain balanced and the same angle of sharpness is maintained.

If the cutting edge of a blade has already been sharpened many times, or if any metal separation is present, it is recommended that new blades be installed. New blades are available at your authorized dealer.

The blades may be removed as follows.

1. Remove the deck from beneath the tractor, (refer to Deck Removal) then gently flip the deck over to expose its underside.
2. Use a  $1\frac{5}{16}$ " wrench to hold the hex nut on top of the spindle assembly when loosening the hex nut (a) securing the blade (b). A block of wood (c) may be placed between the deck housing and the cutting edge of the blade (b) to help in breaking loose the hex nut (a) securing the blade. See Figure 4-18.

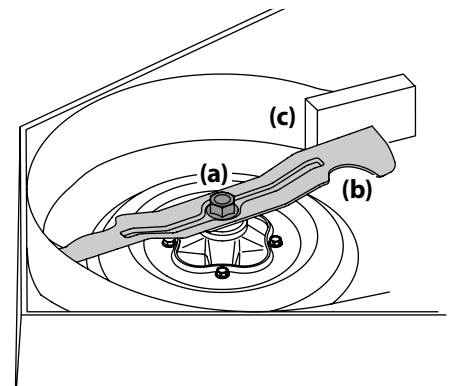


Figure 4-18

3. When reinstalling the blades, be sure they are installed so that the wings are pointing upward toward the top of the deck.
4. Tighten the hex nuts (a) to 70-90 ft. lbs.
5. Reinstall the deck (refer to Deck Installation).

## Changing the Transmission Drive Belt

Several components must be removed and special tools used in order to change the tractor's transmission drive belt. See your authorized service dealer to have the transmission drive belt replaced.

## Tractor Creeping

Creeping is the slight forward or backward movement of the tractor when the throttle is on and the speed control levers are in the neutral position. If your tractor creeps, see an authorized service dealer.



# MANUAL DEL OPERADOR

## Modelo con volante Z-Force

---

### Índice

<i>Medidas importantes de seguridad</i> .....	2	<i>Cuidado del producto</i> .....	17
<i>Armado e Instalación</i> .....	7	<i>Piezas/Garantía</i> .....	<i>Consulte el suplemento que se adjunta por separado</i>
<i>Controles y Funcionamiento</i> .....	10		

---

### ADVERTENCIA

**LEA Y CUMPLA TODAS LAS REGLAS Y LAS INSTRUCCIONES DE SEGURIDAD DE ESTE MANUAL ANTES DE INTENTAR OPERAR ESTA MÁQUINA.  
SI NO SIGUE ESTAS INSTRUCCIONES, SE PUEDEN PROVOCAR LESIONES PERSONALES.**

**NOTA:** Este manual del operador abarca numerosos modelos. Las características pueden variar según los modelos. No todas las características que se incluyen en este manual se aplican a todos los modelos y el modelo que se ilustra aquí puede diferir del suyo.

## ⚠ ADVERTENCIA

⚠ Este símbolo indica instrucciones de seguridad importantes que, de no seguirse, pueden poner en peligro su seguridad personal y/o material y la de otras personas. Lea y cumpla todas las instrucciones de este manual antes de intentar hacer funcionar esta máquina. El incumplimiento de estas instrucciones puede producir lesiones personales. Cuando vea este símbolo, **¡TENGA EN CUENTA LAS ADVERTENCIAS!**

## ⚠ ADVERTENCIA

Proposición 65 de California

El escape del motor de este producto, algunos de sus componentes y algunos componentes del vehículo contienen o liberan sustancias químicas que el Estado de California considera que pueden producir cáncer, defectos de nacimiento u otros problemas reproductivos.

Los bornes y contactos de la batería, y los accesorios afines contienen plomo y compuestos de plomo, sustancias químicas que el Estado de California considera que pueden producir cáncer y daños en el sistema reproductivo. Lávese las manos después de estar en contacto con estos componentes.

## ⚠ PELIGRO

Esta máquina está diseñada para ser utilizada respetando las medidas de seguridad contenidas en este manual. Al igual que con cualquier tipo de equipo motorizado, un descuido o error por parte del operador puede producir lesiones graves. Esta máquina es capaz de amputar manos y pies y de arrojar objetos. De no respetar las instrucciones de seguridad siguientes, se pueden ocasionar lesiones graves o la muerte.

### Funcionamiento general

- |  |   |  |
|--|---|--|
| <ol style="list-style-type: none"> <li>1. Lea, entienda y cumpla todas las instrucciones incluidas en la máquina y en el(los) manual(es) antes de intentar realizar el montaje de la unidad y utilizarla. Guarde este manual en un lugar seguro para consultas futuras y periódicas, así como para solicitar repuestos.</li> <li>2. Familiarícese con todos los controles y con el uso adecuado de los mismos. Sepa cómo detener la máquina y desactivar los controles rápidamente.</li> <li>3. No permita nunca que los niños menores de 14 años utilicen esta máquina. Los niños de 14 años en adelante deben leer y entender las instrucciones de funcionamiento y las normas de seguridad contenidas en este manual y en la máquina y deben ser entrenados y supervisados por un adulto.</li> <li>4. Nunca permita que los adultos operen esta máquina sin recibir antes la instrucción apropiada.</li> <li>5. Para tratar de evitar el contacto con las cuchillas o una lesión por un objeto que sea arrojado, mantenga a los observadores, ayudantes, niños y mascotas alejados al menos 75 pies de la máquina mientras está funcionando. Pare la máquina si alguien ingresa a la zona.</li> <li>6. Inspeccione minuciosamente el área donde utilizará el equipo. Saque todas las piedras, palos, cables, huesos, juguetes y demás objetos extraños que puedan ser recogidos y arrojados por las cuchillas. Los objetos arrojados por la máquina pueden causar lesiones graves.</li> <li>7. Planifique el patrón de corte, para evitar que la descarga de material se realice hacia los caminos, las veredas, los observadores, etc. Evite además descargar material contra una pared u obstrucción, ya que esto podría hacer que el material descargado rebotara contra el operador.</li> <li>8. Para protegerse los ojos utilice siempre anteojos o antiparras de seguridad mientras hace funcionar la máquina o mientras le hace ajustes o reparaciones. Los objetos arrojados</li> </ol> | <ol style="list-style-type: none"> <li>que rebotan pueden lesionar gravemente los ojos.</li> <li>9. Utilice zapatos de trabajo resistentes, de suela fuerte, así como pantalones y camisas ajustados. Las prendas sueltas y las alhajas pueden quedar atrapadas en las piezas móviles. Nunca haga funcionar la máquina descalzo o con sandalias.</li> <li>10. Esté atento a la dirección de descarga de la cortadora y sus accesorios y no los apunte a nadie. Nunca opere la cortadora de césped sin tener bien colocada la cubierta de descarga o el colector de césped.</li> <li>11. No ponga las manos ni los pies cerca de las piezas rotatorias ni debajo de la plataforma de corte. El contacto con las cuchillas puede amputar manos y pies.</li> <li>12. Una cubierta de descarga faltante o dañada puede provocar lesiones por contacto con la cuchilla o por objetos arrojados.</li> <li>13. Detenga las cuchillas al cruzar sendas, senderos o caminos de grava y cuando no corte césped.</li> <li>14. Tenga cuidado con el tránsito cuando opere cerca de rutas o al cruzarlas. Esta máquina no está diseñada para ser usada en la vía pública.</li> <li>15. No haga funcionar la máquina si se encuentra bajo los efectos del alcohol o las drogas.</li> <li>16. Úsela solamente con luz natural o con buena luz artificial.</li> <li>17. Nunca lleve pasajeros.</li> <li>18. Retroceda lentamente. Siempre mire hacia abajo y hacia atrás antes y mientras retrocede para evitar accidentes. Esté atento y vigile el funcionamiento del sistema de seguridad que corta la energía de las cuchillas al conducir marcha atrás. Si no funciona correctamente, póngase en contacto con un distribuidor autorizado para que se inspeccione y repare el sistema de seguridad.</li> <li>19. Reduzca la velocidad antes de girar. Haga funcionar la máquina de manera uniforme. Evite que funcione de manera errática y a excesiva velocidad.</li> </ol> | <ol style="list-style-type: none"> <li>20. Desacople las cuchillas, ponga el freno de mano, pare el motor y espere hasta que las cuchillas se detengan por completo antes de retirar el colector de césped, vaciar los recortes, destapar el canal, retirar restos de césped o desechos, o hacer cualquier ajuste.</li> <li>21. Nunca deje la máquina en funcionamiento sin vigilancia. Desconecte siempre las cuchillas, coloque las palancas/pedales de control de transmisión en neutral, coloque el freno de mano, apague el motor y saque la llave antes de bajarse de la unidad.</li> <li>22. Tenga mucho cuidado al cargar o descargar la máquina en un remolque o camión. Esta máquina no debe conducirse subiendo o bajando rampas, ya que la máquina podría volcar y provocar lesiones personales graves. La máquina se debe empujar a mano en rampas para cargarla o descargarla correctamente.</li> <li>23. El silenciador y el motor se calientan y pueden causar quemaduras. No los toque.</li> <li>24. Revise la holgura superior antes de conducir debajo de ramas bajas, cables, cerramientos de puertas, etc., donde el operador puede golpearse o ser tirado de la máquina, lo que podría resultar en lesiones graves.</li> <li>25. Desenganche todos los embragues de los accesorios, coloque el freno de mano en posición "ON" (accionamiento) o en los tractores con palancas de control, mueva las palancas de control de transmisión derecha e izquierda totalmente hacia afuera a la posición neutral antes de intentar arrancar el motor.</li> <li>26. Su máquina está diseñada para cortar césped residencial normal de una altura no mayor a 10 pulgadas. No intente cortar césped demasiado crecido, seco (como un pastizal) ni pilas de hojas secas. El césped o las hojas secas pueden entrar en contacto con el escape del motor y/o acumularse en la plataforma de corte presentando un potencial peligro de incendio.</li> </ol> |
|--|---|--|



27. Utilice solamente accesorios e implementos aprobados para esta máquina por su fabricante. Lea, comprenda y siga todas las instrucciones incluidas con el accesorio o implemento aprobado.
28. Los datos indican que los operadores de 60 años y más participan de un gran porcentaje de lesiones relacionadas con tractores cortacésped. Estas personas deben evaluar su capacidad para operar el tractor de manera suficientemente segura para protegerse a sí mismos y a otros de lesiones graves.
29. Si se presentan situaciones que no están previstas en este manual, tenga cuidado y use el sentido común. Póngase en contacto con su representante de atención al cliente para obtener ayuda.

### Funcionamiento en pendiente

Las pendientes son uno de los principales factores asociados a los accidentes por pérdida de control y vuelcos que pueden producir lesiones graves o la muerte. Todas las pendientes exigen precaución adicional. Si no puede retroceder por la pendiente o si no se siente seguro, no realice ningún corte.

Para su seguridad, use el indicador de pendientes que se adjunta a este manual para medir la pendiente antes de operar la máquina en una zona inclinada. Si la pendiente es de más de 15°, como se muestra en el medidor, no haga funcionar esta máquina en ese sector o podría causar lesiones graves.

#### Haga lo siguiente:

1. Corte de forma transversal a la pendiente, no hacia arriba ni hacia abajo. Tenga sumo cuidado al cambiar de dirección en una pendiente.
2. Esté atento a los hoyos, surcos, baches, rocas, y otros objetos ocultos. El terreno desnivelado puede voltear la máquina. El césped alto puede ocultar obstáculos.
3. Conduzca a baja velocidad. Elija una velocidad lo suficientemente baja, de modo que no tenga que detenerse mientras está en la pendiente. Evite arrancar o detenerse en una pendiente. Si los neumáticos no pueden mantener la tracción, desenganche las cuchillas y baje lentamente y con cuidado por la pendiente.
4. Siga las recomendaciones del fabricante sobre los pesos o contrapesos de las ruedas para mejorar la estabilidad.
5. Tenga mucho cuidado con los colectores de césped y otros complementos. Pueden modificar la estabilidad de la máquina.
6. Todos los movimientos en las pendientes deben ser lentos y graduales. No haga cambios bruscos de velocidad o dirección. La aceleración o la reducción repentina de velocidad pueden hacer que el frente de la máquina se levante y dé una voltereta hacia atrás, lo que podría producir lesiones graves.

#### No haga lo siguiente:

1. No gire en pendiente a menos que sea necesario; si lo hace, gire lentamente cuesta arriba y tenga sumo cuidado al hacerlo.
2. No corte el césped cerca de declives, zanjas o terraplenes. La cortadora puede volcarse repentinamente si una de las ruedas pasa el borde de un acantilado o zanja o si se desmorona un borde.

3. No intente estabilizar la máquina poniendo el pie en el suelo.
4. No utilice colector de césped en pendientes empinadas.
5. No corte el césped húmedo. La falta de tracción puede hacer que patine.
6. No remolque complementos de arrastrar pesados (como carrito de basura cargado, podadora de rodillos, etc.) en pendientes de más de 5°. Cuando se desplaza cuesta abajo, el peso adicional tiende a empujar el tractor y puede hacerle perder el control (por ejemplo, el tractor se puede acelerar, la capacidad de conducir y frenar se reducen, el complemento puede acodillarse y hacer que el tractor vuelque).

### Niños

1. Pueden ocurrir accidentes trágicos si el operador no está atento a la presencia de niños. Por lo general, los niños se sienten atraídos por la máquina y su actividad. No entienden los riesgos ni los peligros. Nunca suponga que los niños permanecerán en el lugar donde los vio por última vez.
  - a. Mantenga a los niños fuera del área de corte y bajo estricta vigilancia de un adulto responsable además del operador.
  - b. Esté alerta y apague la máquina si un niño ingresa al área.
  - c. Para evitar accidentes al retroceder, siempre mire hacia atrás y hacia abajo para ver si hay niños pequeños.
  - d. Nunca transporte niños, ni siquiera con las cuchillas desactivadas. Podrían caerse y resultar gravemente heridos o interferir con la operación segura de la máquina.
  - e. Tenga mucho cuidado al aproximarse a las esquinas ciegas, puertas, arbustos, árboles u otros objetos que puedan obstaculizarle la vista de un niño que pudiese correr al encuentro de la máquina.
  - f. Mantenga a los niños alejados de los motores en marcha o calientes. Pueden sufrir quemaduras con un silenciador caliente.
  - g. Retire la llave cuando la máquina quede sin vigilancia para evitar el funcionamiento no autorizado.
2. No permita nunca que los niños menores de 14 años utilicen esta máquina. Los niños de 14 años en adelante deben leer y entender las instrucciones de funcionamiento y las normas de seguridad contenidas en este manual y en la máquina y deben ser entrenados y supervisados por un adulto.

### Remolque

1. Remolque únicamente con una máquina que tenga un enganche diseñado para remolcar. No acople equipo remolcado excepto en el punto de enganche.
2. Siga las recomendaciones del fabricante en lo que respecta a los límites de peso de los equipos a remolcar y al remolque en pendientes.

3. Nunca permita que los niños y otras personas se suban a equipos remolcados.
4. En las pendientes, el peso del equipo remolcado puede causar pérdida de tracción y pérdida de control.
5. Desplácese lentamente y deje distancia adicional para detenerse.
6. No cambie a punto muerto para bajar por inercia.

### Servicio

#### Manejo seguro de la gasolina:

1. Para evitar lesiones personales o daños materiales tenga mucho cuidado al manipular la gasolina. **La gasolina es sumamente inflamable y sus vapores son explosivos.** Si se derrama gasolina encima o sobre la ropa se puede lesionar gravemente ya que se podría prender fuego. Lávese la piel y cámbiese de ropa de inmediato.
  - a. Utilice sólo los recipientes para gasolina autorizados.
  - b. Apague todos los cigarrillos, cigarros, pipas y otras fuentes de combustión.
  - c. Nunca cargue combustible en la máquina en un espacio cerrado.
  - d. Nunca saque la tapa del combustible ni agregue combustible mientras el motor está caliente o en marcha. Deje que el motor se enfríe por lo menos dos minutos antes de volver a cargar combustible.
  - e. Nunca llene en exceso el depósito de combustible. Llene el depósito no más de ½ pulgada por debajo de la base del cuello de llenado para dejar espacio para la expansión del combustible.
  - f. Vuelva a colocar el tapón de combustible y ajústelo bien.
  - g. Limpie el combustible que se haya derramado sobre el motor y el equipo. Traslade la máquina a otra zona. Espere 5 minutos antes de arrancar el motor.
  - h. Para reducir el riesgo de incendio, mantenga la máquina limpia de pasto, hojas y residuos acumulados. Limpie los derrames de aceite o combustible y saque todos los residuos embebidos en combustible.
  - i. Nunca guarde la máquina o los recipientes de combustible, ni cargue combustible en un espacio cerrado donde haya fuego, chispas o luz piloto, por ejemplo, de calentadores de agua, calefactores de ambientes, hornos, secadores de ropa u otros aparatos a gas.
  - j. Deje que la máquina se enfríe por lo menos cinco minutos antes de guardarla.
2. Evite la descarga estática
  - a. Nunca llene los recipientes dentro de un vehículo o un camión o un remolque con recubrimiento plástico. Coloque siempre los recipientes en el piso y lejos del vehículo antes de llenarlo.

- b. Cuando sea conveniente, retire el equipo a gasolina del camión o remolque y llénelo sobre el suelo. Si esto no es posible, llene el equipo en un remolque con un recipiente portátil, en vez de hacerlo desde un pico dispensador de gasolina.
- c. En todo momento, mantenga el pico en contacto con el borde del depósito de combustible o con la abertura del recipiente, hasta terminar la carga. No utilice un dispositivo de apertura/cierre del pico.

### Servicio general

1. Nunca encienda el motor en espacios cerrados o en una zona con poca ventilación. El escape del motor contiene monóxido de carbono, un gas inodoro y letal.
2. Antes de limpiar, reparar o inspeccionar la máquina, compruebe que las cuchillas y todas las piezas móviles se hayan detenido. Desconecte el cable de la bujía y póngalo haciendo masa contra el motor para evitar que se encienda accidentalmente.
3. Controle periódicamente para asegurarse que las cuchillas se detienen completamente aproximadamente cinco (5) segundos después de accionar el control de desacople. Si las cuchillas no se detienen en este lapso, su máquina necesita un servicio profesional de un distribuidor autorizado.
4. Controle periódicamente el funcionamiento del sistema de interbloqueo de seguridad, tal como se describe más adelante en este manual. Si el sistema de interbloqueo de seguridad no funciona correctamente, lleve su máquina a hacerle un servicio profesional de un distribuidor autorizado.
5. Controle las cuchillas y los pernos de montaje del motor a intervalos frecuentes para verificar que estén bien apretados. Además, inspeccione visualmente las cuchillas para detectar la presencia de daños (por ejemplo: desgaste excesivo, abolladuras, rajaduras). Reemplace las cuchillas únicamente por cuchillas de los fabricantes del equipo original (O.E.M.) listados en este manual. "El uso de piezas que no cumplen con las especificaciones del equipo original podría producir un rendimiento inadecuado y además puede comprometer la seguridad."
6. Las cuchillas de la cortadora son filosas. Envuelva la cuchilla o utilice guantes y extrene las precauciones cuando les haga mantenimiento.
7. Mantenga todos los pernos, las tuercas y los tornillos bien ajustados para asegurarse de que la máquina se encuentra en condiciones seguras de funcionamiento.
8. Nunca altere el sistema de interbloqueo de seguridad u otros dispositivos de seguridad. Controle periódicamente que funcionen correctamente.
9. Después de golpear algún objeto extraño, detenga el motor, desconecte los cables de la bujía y conéctelos a tierra con el motor. Inspeccione minuciosamente la máquina para ver si está dañada. Repare el daño antes de volver a arrancar y operar la máquina.
10. Nunca intente hacer ajustes o arreglos con el motor en marcha.
11. Los componentes del colector de césped y la cubierta de descarga están sujetos a desgaste y daños que podrían dejar expuestas piezas móviles o permitir que se arrojen objetos. Para proteger su seguridad, verifique frecuentemente todos los componentes y reemplácelos inmediatamente sólo por repuestos de los fabricantes del equipo original (O.E.M.) listados en este manual. "El uso de piezas que no cumplen con las especificaciones del equipo original podría producir un rendimiento inadecuado y además puede comprometer la seguridad."
12. No cambie la configuración del regulador del motor ni acelere demasiado el motor. El regulador del motor controla la velocidad máxima de funcionamiento seguro del motor.
13. Mantenga o reemplace las etiquetas de seguridad y de instrucciones según sea necesario.
14. Respete las normas y reglamentaciones sobre la manera correcta de eliminar gasolina, aceite, etc. para proteger el medio ambiente.
15. Según la Comisión de Seguridad de Productos para el Consumidor de los Estados Unidos (CPSC) y la Agencia de Protección Ambiental de los Estados Unidos (EPA), este producto tiene una *vida útil media* de siete (7) años o 270 horas de funcionamiento. Al finalizar la *vida útil media* haga inspeccionar anualmente esta unidad por un distribuidor de servicio autorizado para cerciorarse de que todos los sistemas mecánicos y de seguridad funcionan correctamente y no tienen excesivo desgaste. Si no lo hace, puede ocasionar accidentes, lesiones o la muerte.

### No modifique el motor

Para evitar lesiones graves o la muerte, no modifique el motor de ninguna manera. Si altera la configuración del regulador, el motor se puede desbocar y funcionar a velocidades que no son seguras. Nunca cambie la configuración de fábrica del regulador del motor.

### Aviso referido a emisiones

Los motores que están certificados y cumplen con las normas sobre emisiones federales EPA y de California para SORE (Equipos pequeños todo terreno) están certificados para funcionar con gasolina sin plomo común y pueden incluir los siguientes sistemas de control de emisiones: Modificación de motor (EM) y catalizador de tres vías (TWC) si están equipados con esos sistemas.

Cuando sea necesario, los modelos están equipados con líneas de combustible y depósitos de combustible de baja penetración para controlar las emisiones por evaporación. Los modelos para California también pueden incluir un filtro de carbón. Por favor, póngase en contacto con Atención al cliente para obtener información sobre la configuración del control de emisiones por evaporación para su modelo.

### Amortiguador de chispas

#### ▲ ADVERTENCIA

**Esta máquina está equipada con un motor de combustión interno y no debe ser utilizada en o cerca de un terreno agreste cubierto por bosque, malezas o hierba excepto que el sistema de escape del motor esté equipado con un amortiguador de chispas que cumpla con las leyes locales o estatales correspondientes (en caso de existir).**

Si se utiliza un amortiguador de chispas el operador lo debe mantener en condiciones de uso adecuadas. En el Estado de California, las medidas anteriormente mencionadas son exigidas por ley (Artículo 4442 del Código de Recursos Públicos de California). Es posible que existan leyes similares en otros estados. Las leyes federales se aplican en territorios federales. Puede conseguir el amortiguador de chispas para el silenciador a través de su distribuidor autorizado de motores más cercano o poniéndose en contacto con el departamento de servicios, P.O. Box 361131 Cleveland, Ohio 44136-0019.

## Símbolos de seguridad

En esta página se presentan y describen los símbolos de seguridad que pueden aparecer en este producto. Lea, comprenda y siga todas las instrucciones incluidas en la máquina antes de intentar armarla y hacerla funcionar.

Símbolo	Descripción
	<b>LEA LOS MANUALES DEL OPERADOR</b> Lea, entienda y siga todas las instrucciones incluidas en los manuales antes de intentar armar la unidad y hacerla funcionar.
	<b>PELIGRO — CUCHILLAS GIRATORIAS</b> Nunca lleve pasajeros. Nunca transporte niños, ni siquiera después de haber desconectado las cuchillas.
	<b>PELIGRO — CUCHILLAS GIRATORIAS</b> Se recomienda no cortar marcha atrás.
	<b>PELIGRO — CUCHILLAS GIRATORIAS</b> No coloque las manos ni los pies cerca de piezas que giran ni debajo de la plataforma de corte. El contacto con las cuchillas puede amputar manos y pies.
	<b>PELIGRO — CUCHILLAS GIRATORIAS</b> Mire hacia abajo y hacia atrás antes y mientras se desplaza marcha atrás, para evitar un accidente al retroceder.
	<b>ADVERTENCIA - OBJETOS LANZADOS</b> Esta máquina puede recoger y lanzar objetos que pueden causar lesiones personales graves.
	<b>PELIGRO — DISPOSITIVOS DE SEGURIDAD</b> Mantenga los dispositivos de seguridad (guardas, protectores, interruptores, etc.) en su lugar y funcionando.
	<b>ADVERTENCIA — OBSERVADORES</b> Mantenga a los observadores, ayudantes, mascotas y niños por lo menos a 75 pies (23 m.) de la máquina mientras está en funcionamiento.
	<b>ADVERTENCIA — OPERACIÓN EN PENDIENTE</b> No utilice esta máquina en una pendiente mayor de 15°. No corte el césped subiendo y bajando la pendiente. Corte de forma transversal en pendientes no mayores de 15°. Evite realizar giros abruptos. Conduzca a baja velocidad. Si la máquina se para mientras sube la pendiente, pare las cuchillas y retroceda lentamente para abajo.
	<b>ADVERTENCIA— SUPERFICIE CALIENTE</b> Las piezas del motor, especialmente el silenciador, se recalientan durante la operación. Deje que el motor y el silenciador se enfríen antes de tocarlos.
	<b>PELIGRO — CUCHILLAS GIRATORIAS</b> Para reducir el riesgo de lesiones, mantenga alejados manos y pies. No haga funcionar sin que la tapa de descarga o el colector de césped se encuentren en el lugar que corresponde. Si están dañados, reemplácelos inmediatamente.
	<b>ADVERTENCIA — RIESGO DE INCENDIO</b> Deje que la máquina se enfríe antes de cargar combustible o almacenarla.
	<b>ADVERTENCIA — RIESGO DE INCENDIO</b> No conduzca sobre pilas de hojas secas o pasto alto.
	<b>ADVERTENCIA — RIESGO DE INCENDIO</b> No permita que se acumulen residuos. La acumulación de desechos puede dar lugar a un incendio.

## Indicador de pendiente

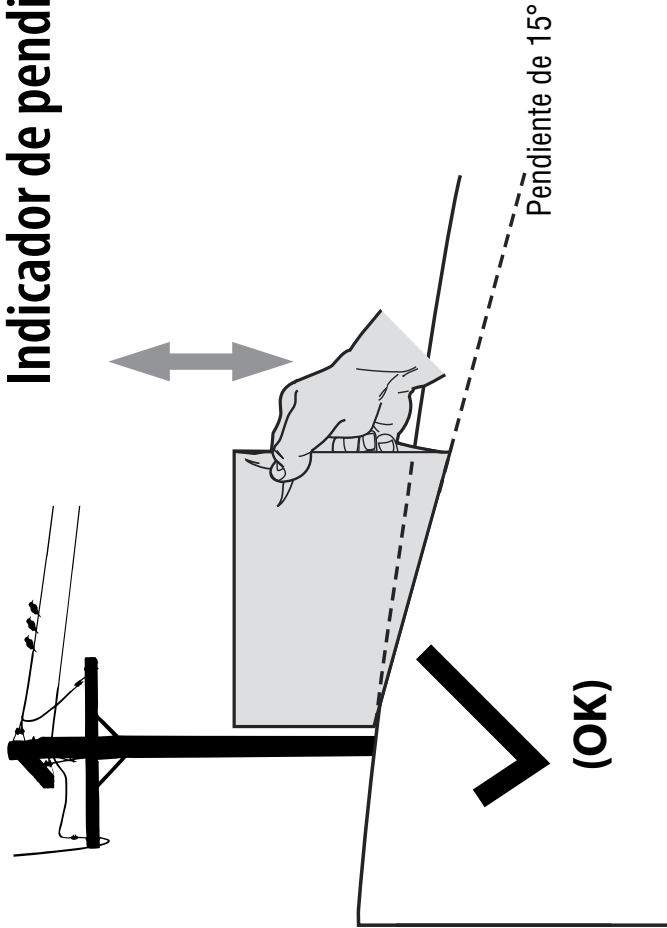


Figura 1

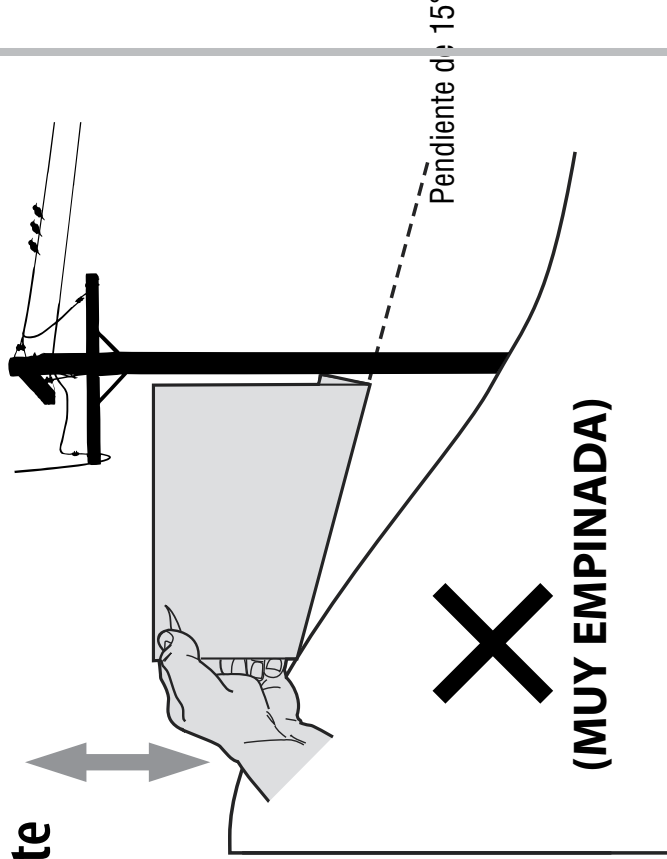


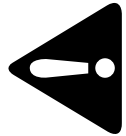
Figura 2

## Línea de puntos a 15°

### ¡USE ESTE INDICADOR DE PENDIENTE PARA DETERMINAR SI UNA PENDIENTE ES DEMASIADO EMPINADA PARA SU SEGURIDAD!

Para comprobar la pendiente, proceda de la siguiente manera:

1. Separe esta página y plieguela por la línea de puntos.
2. Ubique un objeto vertical que se encuentre sobre o detrás de la pendiente (un poste, un edificio, un cerco, un árbol, etc.)
3. Alinee uno de los dos lados del indicador de pendiente con el objeto (vea las Figuras 1 y 2).
4. Ajuste el indicador hacia arriba o hacia abajo hasta que la esquina izquierda toque la pendiente (vea las Figuras 1 y 2).
5. Si hay una separación debajo del indicador, la pendiente es demasiado empinada para operar con seguridad (vea la Figura 2 anterior).



**¡ADVERTENCIA!** Las pendientes son uno de los principales factores asociados a los accidentes por tumbos y vuelcos que pueden producir lesiones graves o la muerte.

No utilice la máquina en pendientes de más de 15°. Todas las pendientes exigen precaución adicional. Si no puede retroceder por la pendiente o si no se siente seguro, no realice ningún corte. Siempre corte hacia arriba y hacia abajo de las pendientes, nunca de manera transversal.

## Muchas gracias

Gracias por comprar este producto. Ha sido cuidadosamente diseñado para brindar excelente rendimiento si se lo hace funcionar y se lo mantiene correctamente.

Por favor lea todo este manual antes de hacer funcionar el equipo. El manual le indica cómo configurar, hacer funcionar y mantener la máquina de manera fácil y segura. Por favor asegúrese de que usted, y cualquier otra persona que utilice la máquina, siga atentamente y en todo momento las medidas de seguridad recomendadas. De lo contrario, se podrían producir lesiones personales o daños materiales.

Toda la información contenida en este manual hace referencia a la información más reciente sobre el producto que está disponible al momento. Revise el manual frecuentemente para familiarizarse con la máquina, sus características y su funcionamiento. Por favor, tenga en cuenta que este Manual del Operador puede abarcar una variedad de especificaciones para productos de diversos modelos. Es posible que las características y funciones incluidas y/o ilustradas en este manual no se apliquen a todos los modelos. Nos reservamos el derecho de modificar las especificaciones de los productos, diseños y equipos sin previo aviso y sin generar responsabilidad por obligaciones de ningún tipo.

Si corresponde, la información sobre las prueba de potencia utilizada para determinar la potencia nominal del motor equipado en esta máquina se puede consultar en [www.opei.org](http://www.opei.org) o en el sitio web del fabricante del motor.

Si tiene algún problema o duda con respecto a esta máquina, llame a su distribuidor de servicio local autorizado o póngase en contacto directamente con nosotros. Queremos garantizar su entera satisfacción en todo momento.

En este manual, todas las referencias al lado *derecho* o *izquierdo* de la máquina se hacen observándola desde la posición de operación.

## Contenido del cajón

- Tractor con radio de giro cero (1)
  - Manual del Operador (1)
  - Manual del Operador del Motor (1)
  - Conjunto de canal de descarga (1)
  - Tarjeta para registrar el producto (1)
- † — Si está equipado

**Nota:** Este manual del operador abarca numerosos modelos. Las características del tractor pueden variar según los modelos. No todas las características que se incluyen en este manual se aplican a todos los modelos de tractor y la máquina que se ilustra aquí puede diferir de la suya.

**Nota:** Las referencias que contiene este manual sobre los lados derecho o izquierdo y trasero o delantero del tractor se hacen siempre desde la posición de operación. Las excepciones, si las hubiere, serán especificadas.

**Nota:** Algunos componentes pueden venir previamente ensamblados. Si ya están ensamblados, continúe con el siguiente paso.

## Preparación del tractor

### Movimiento manual del tractor

- Enganche las varillas de derivación de la transmisión, una a cada lado del tractor, para mover el tractor manualmente sin ponerlo en marcha. Las varillas de derivación de la transmisión están ubicadas en la parte trasera del tractor, justo en el interior de las ruedas traseras. Enganche las varillas de derivación tirando de cada una hacia afuera (a) y hacia la derecha (b) para trabarlas en su lugar. Vea la Figura 2-1.

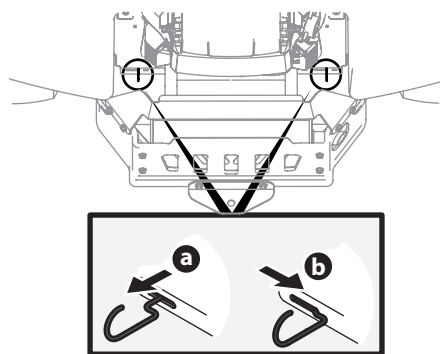


Figura 2-1

- Después de mover el tractor, desenganche las varillas de derivación invirtiendo los pasos a y b. Vea la Figura 2-1.
- Retire el adaptador del pico del sistema de lavado de la plataforma de la bolsa manual y guárdelo para uso futuro.

### Columna del volante

La columna del volante de dirección (a) se inclina totalmente hacia atrás para el embarque. Para inclinar la columna del volante de dirección (a) hacia adelante, rote la palanca de ajuste (b) de la columna del volante de dirección en el sentido contrario a las agujas del reloj; ubique la columna del volante de dirección (a) en la posición deseada y luego rote la palanca de ajuste de la columna del volante de dirección (b) en el sentido de las agujas del reloj para sujetar la columna del volante de dirección en su lugar. Vea la Figura 2-2.

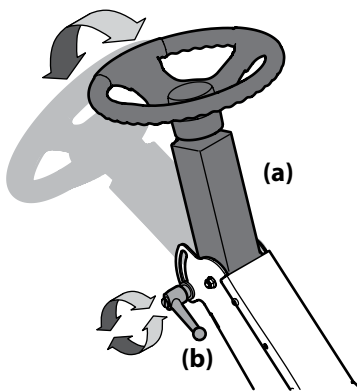


Figura 2-2

**Nota:** Asegúrese de que la palanca de ajuste de la columna de dirección (b) quede ajustada para evitar que se mueva la columna del volante de dirección (a) cuando se opera la máquina.

### Instale el asiento del operador

Para instalar el asiento proceda de la siguiente manera:

**Nota:** El asiento se envía con el interruptor de asiento y el contenedor del asiento acoplados.

- Corte cualquier tira que sujete el conjunto del asiento al tractor. Quite cualquier material de empaque.
- Nota:** Tenga cuidado para no cortar el cableado que conecta el asiento al interruptor del asiento.
- Quite los dos tornillos con reborde (a) y las tuercas de seguridad con brida (b) del soporte del asiento (c) tal como se muestra en Figura 2-3.

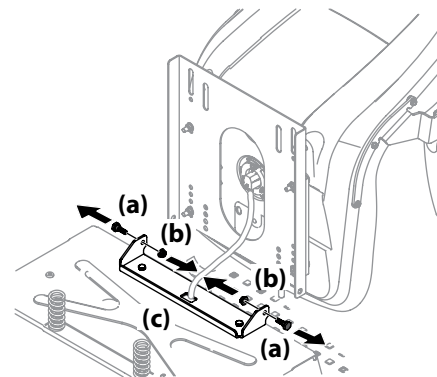


Figura 2-3

- Gire el asiento hasta la posición deseada y asegúrelo en su lugar con los tornillos de reborde y las tuercas de seguridad con brida que extrajo antes. Tenga cuidado de no doblar o dañar el cableado mientras instala el asiento. Vea la Figura 2-4.

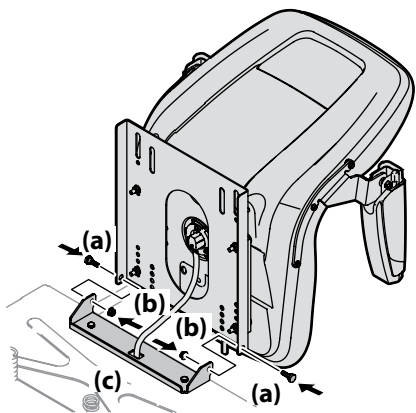


Figura 2-4

**Nota:** Asegúrese de empujar el cable excedente del cableado para que ingrese en el orificio de la caja del asiento antes de continuar.

### Un conjunto de canal de descarga inferior

#### ⚠ ADVERTENCIA

Nunca opere la plataforma del tractor sin el conjunto del canal de descarga instalado y en posición baja.

Se debe instalar el conjunto del deflector del canal de descarga antes de operar el tractor. Para instalar el deflector del canal, proceda de la siguiente manera:

- Extraiga los pernos de carro (a) y las tuercas de seguridad con reborde (b) instalados en el soporte de montaje de la plataforma (c). Vea la Figura 2-5.

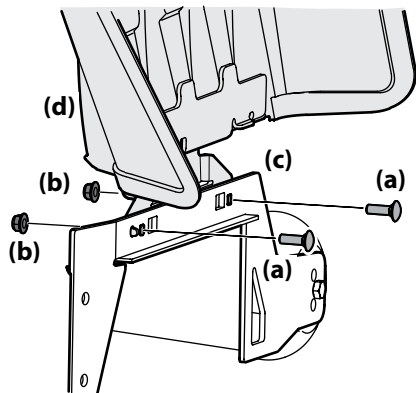


Figura 2-5

- Con los elementos de ferretería que extrajo anteriormente, instale el deflector del canal en la plataforma, como se indica en la Figura 2-5.

### Ajuste del asiento

- Para ajustar la posición del asiento, empuje la palanca de ajuste del asiento hacia la izquierda. Vea la Figura 2-6.

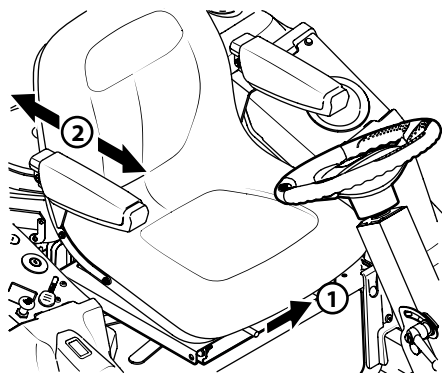


Figura 2-6

- Deslice el asiento hacia adelante o hacia atrás hasta la posición deseada; luego suelte la palanca de ajuste. Asegúrese de que el asiento esté fijo en su posición antes de operar el tractor. Vea la Figura 2-6.

### Volante

- Retire los elementos de ferretería para fijar el volante (a) que están debajo de la tapa del volante (b). Extraiga con cuidado la cubierta del volante (b) mediante palanca para retirar los elementos de ferretería. Vea la Figura 2-7.

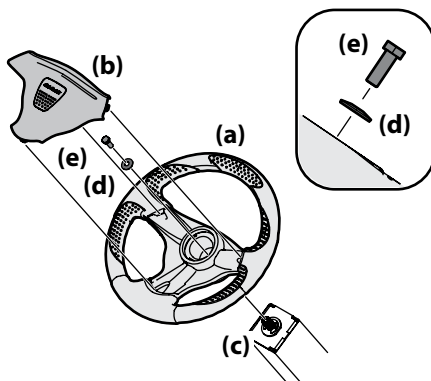


Figura 2-7

- Con las ruedas de la máquina ubicadas rectas hacia adelante, coloque el volante (a) sobre el eje de dirección (c).
- Coloque la arandela Belleville (d) con el lado cóncavo hacia adentro por encima del volante y ajústela con el tornillo de seguridad hexagonal (e).
- Coloque la cubierta del volante (b) sobre el centro del volante (a) y empuje hacia abajo hasta que calce en su lugar.
- Con el ajuste adecuado de la columna de la dirección y el asiento se producirá lo siguiente (para reajustar el asiento, consulte Ajuste del asiento en la página anterior):
  - En la posición neutral, con las manos sobre el volante,
    - Los brazos del operador deben estar relajados y en posición aproximadamente vertical.

- Los antebrazos del operador deben estar en posición aproximadamente horizontal.
- La espalda del operador debe estar en contacto con el respaldo del asiento.
- La columna de la dirección no debe estar en contacto con las piernas del operador.

- Compruebe los resultados de cualquier ajuste de las condiciones arriba descritas. Repita cualquier procedimiento de ajuste necesario hasta que se reúnan todas las condiciones.

### Llenado de combustible

Llene el depósito (situado al costado del motor, del lado derecho de la cortadora de césped) con gasolina normal sin plomo, de grado adecuado. Cuando el depósito de combustible llegue a la altura de una pulgada de la parte superior del depósito, deténgase, NO LLENE EL DEPÓSITO EN EXCESO. Debe quedar espacio para la dilatación de la gasolina.

### Depósito de expansión de aceite de transmisión

El depósito de expansión del aceite de transmisión está conectado por mangueras a los conjuntos de transmisión de lado derecho e izquierdo, y está ubicado detrás de la caja del asiento. La función del depósito es contener la expansión natural del aceite de transmisión que se produce a medida que la transmisión se calienta durante el funcionamiento de la máquina NO LLENE EL DEPÓSITO.

En condiciones operativas normales, no se debe agregar aceite al depósito. El nivel de aceite FRÍO no debe superar aproximadamente 1/4" (marca de "Lleno frío") por encima de la base del depósito. Vea la Figura 2-8.

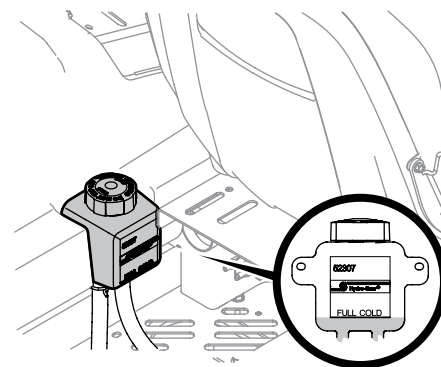


Figura 2-8

**Nota:** Antes del funcionamiento inicial del tractor, el nivel de aceite del depósito puede estar levemente por encima del máximo debido al aire que hay en las líneas de aceite. El funcionamiento del tractor finalmente purgará el aire de las líneas y el nivel de aceite se estabilizará en el máximo.

## Conexión de los cables de la batería

### ⚠ ADVERTENCIA

**PROPUESTA 65** de California: Los bornes y contactos de la batería, y los accesorios afines contienen plomo y compuestos de plomo, sustancias químicas que el Estado de California considera que pueden producir cáncer y daños en el sistema reproductivo. Lávese las manos después de estar en contacto con estos componentes.

### ⚠ PRECAUCIÓN

Cuando coloque los cables de la batería, conecte siempre primero el cable POSITIVO (rojo) a su borne, y a continuación el cable NEGATIVO (negro).

Por razones relacionadas con el envío, los dos cables de la batería de su equipo se pueden haber dejado desconectados de los terminales en fábrica. Para conectar los cables de la batería, proceda de la siguiente manera:

**Nota:** El borne positivo de la batería está marcado como Pos (+). El borne negativo de la batería está marcado como Neg (-).

1. Retire la cubierta plástica, si está presente, del borne positivo de la batería y una el cable rojo al borne positivo de la batería (+) utilizando el perno (a) y la tuerca hexagonal (b). Vea la Figura 2-9.

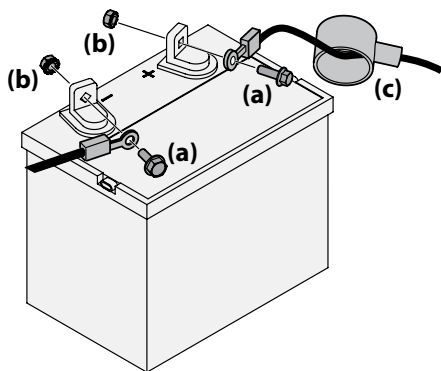


Figura 2-9

2. Retire la cubierta plástica, si está presente, del borne negativo de la batería y una el cable negro al borne negativo de la batería (-) utilizando el perno (a) y la tuerca hexagonal (b). Vea la Figura 2-9.
3. Coloque el capuchón de goma rojo (c) sobre el borne positivo de la batería para protegerlo contra la corrosión.

**Nota:** Si la batería se pone en funcionamiento después de la fecha indicada en su parte superior o al costado de la misma, cárguela siguiendo las instrucciones de la página 8 de la sección Cuidado del producto de este manual antes de operar el tractor.

## Coloque la ménsula de enganche trasera

1. Extraiga los tornillos hexagonales con brida (a), las arandelas y las tuercas de seguridad con brida (b) que sujetan la ménsula de enganche (c) al paragolpes. Vea la Figura 2-10.

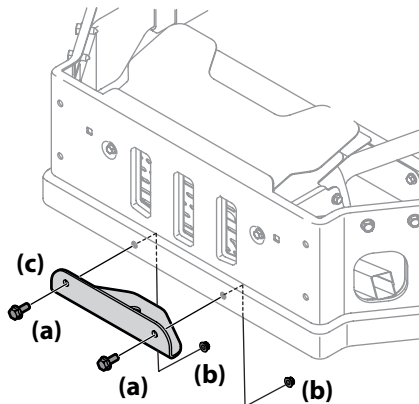


Figura 2-10

2. Coloque la ménsula de enganche como se indica en Figura 2-11 y sujétela con los tornillos hexagonales con brida y las tuercas de seguridad con brida que se extrajeron en el paso 1.

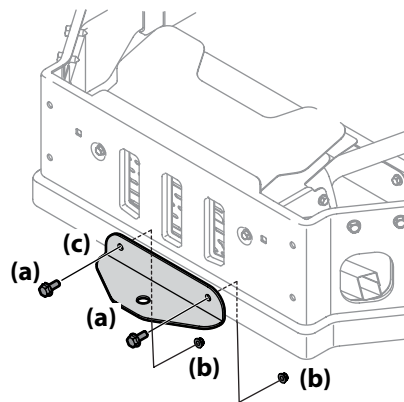


Figura 2-11

## Notas

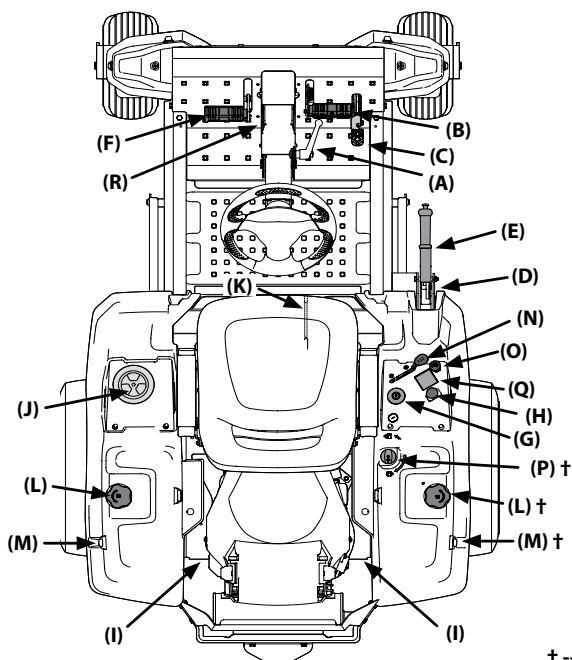


Figura 3-1

**Nota:** Este manual del operador abarca numerosos modelos. Las características del tractor pueden variar según los modelos. No todas las características que se incluyen en este manual se aplican a todos los modelos de tractor y la máquina que se ilustra aquí puede diferir de la suya.

**Nota:** Las referencias a IZQUIERDA, DERECHA, ADELANTE Y ATRÁS indican esa posición desde el asiento del operador en el tractor, mirando hacia adelante.

## Palanca de ajuste de la columna dirección (A)

La palanca de ajuste de la columna de dirección está ubicada a la derecha de la columna de dirección. Para ajustar el ángulo de la columna de dirección, gire la palanca en el sentido contrario al de las agujas del reloj, mueva la columna de dirección hasta la posición deseada y, luego, gire la palanca en el sentido de las agujas del reloj para bloquearla en la posición.

**Nota:** Asegúrese de que la palanca de ajuste de la columna de dirección esté ajustada para evitar que la columna se mueva al utilizar el tractor.

**Nota:** La manija es accionada por resorte, para que se pueda mover del lugar después del ajuste. Tire de la manija hacia afuera y gírela hasta la posición deseada.

## Pedal de marcha adelante (B)

El pedal de la transmisión marcha adelante está ubicado en el lado derecho de la máquina, sobre el estribo. Presione el pedal de marcha adelante hacia adelante para que el tractor se mueva en esa dirección. La velocidad absoluta también se controla con el pedal de marcha adelante. Cuanto más se gire el pedal hacia adelante, más rápido se moverá el tractor. El pedal volverá a su posición original/neutral cuando no esté presionado.



## Pedal de marcha atrás (C)

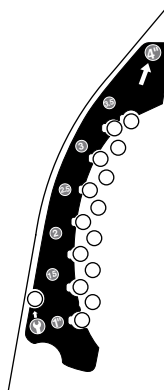
El pedal de marcha atrás está ubicado a la derecha del tractor, sobre el estribo. La velocidad absoluta también se controla con el pedal de marcha atrás. Cuanto más se gire el pedal hacia abajo, más rápido se moverá el tractor. El pedal volverá a su posición original/neutral cuando no esté presionado.



## Posicionamiento de la altura de la plataforma (D)

El posicionamiento de la altura de la plataforma consiste en varios orificios ubicados en la parte delantera de la consola derecha. Cada orificio corresponde a 1/4" de variación en la posición de la altura de la plataforma desde 1" en la muesca más baja hasta 4" en la muesca más alta. La muesca más grande también es la posición de transporte, y la posición más baja es la posición de extracción/instalación de la plataforma.

**Nota:** No corte el césped en la posición de extracción/instalación de la plataforma. De lo contrario, se afecta negativamente la vida útil de la correa.



## Manija de elevación de la plataforma (E)

La manija de elevación de la plataforma se encuentra en la parte delantera de la consola derecha y se utiliza para levantar y bajar la plataforma del tractor.

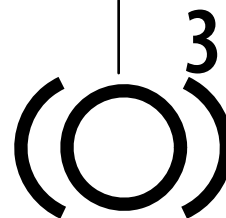
Oprima el botón en el extremo de la palanca y empuje hacia abajo para bajar la plataforma o hacia arriba para elevarla. Cuando se alcance la altura deseada, asegure el pasador en el orificio deseado y suelte el botón de la palanca.

**Nota:** Asegúrese de que la pantalla esté asegurada y de que el pasador esté totalmente insertado en el posicionamiento de la altura de la plataforma. El pasador tiene encajes que ayudan a mantenerlo en su lugar y se calza en los orificios ranurados del posicionamiento de la altura de la plataforma.

**Nota:** La palanca de elevación de la plataforma siempre debe estar sobre el pasador; nunca cuelgue la palanca de elevación de la plataforma desde el pasador durante el corte.

## Pedal de freno (F)

El pedal del freno está ubicado del lado delantero izquierdo del estribo. El pedal del freno se puede usar para detenciones repentinas o para accionar el freno de estacionamiento.

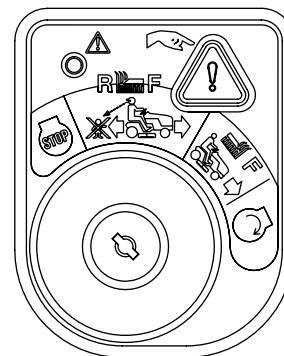


**Nota:** El pedal del freno se debe presionar completamente para accionar el interruptor de interbloqueo de seguridad cuando se inicia la marcha.

## Módulo de ignición (G)

### ADVERTENCIA

Nunca deje la máquina en funcionamiento sin vigilancia. Siempre desconecte la toma de fuerza (PTO), ponga el freno de mano, pare el motor y retire la llave, para evitar que el motor arranque accidentalmente.



Para hacer arrancar el motor, inserte la llave en el módulo de ignición y gírela hacia la derecha a la posición ENCENDIDO. Suelte la llave en la posición MODOS

DE CORTE NORMAL cuando el motor haya arrancado.

Para detener el motor, gire la llave de encendido en sentido contrario a las agujas del reloj hasta la posición STOP (Apagado).

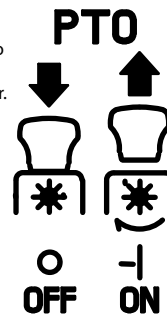
### PRECAUCIÓN

Antes de hacer funcionar el tractor, consulte tanto Interruptores de bloqueo de seguridad como Arranque del motor en la sección Funcionamiento de este manual para ver instrucciones detalladas sobre el módulo del interruptor de encendido y cómo operar el tractor en MODO DE PRECAUCIÓN MARCHA ATRÁS.

## Interruptor de la toma de fuerza (PTO) (H)

El interruptor de la PTO está ubicado en la consola derecha, a la izquierda del medidor horario/panel indicador.

El interruptor de la toma de fuerza (PTO) hace funcionar el embrague eléctrico de toma de fuerza (PTO) montado en la base del cigüeñal del motor. Tire de la perilla del interruptor hacia arriba para enganchar el embrague de la toma de fuerza (PTO), o empuje la perilla hacia abajo para desactivar el embrague.



Al arrancar el motor, el interruptor de la toma de fuerza (PTO) debe estar en posición "OFF" (Desactivado).

## Varillas de derivación de transmisión (I)

Las varillas de derivación de la transmisión (una para cada transmisión, lado derecho y lado izquierdo) están ubicadas en la parte trasera del tractor, justo dentro de cada rueda trasera.



Cuando están engranadas, las dos varillas abren una derivación dentro de las transmisiones hidrostáticas, lo cual permite empujar el tractor a mano a lo largo de distancias cortas. Consulte la sección Armado e Instalación para obtener instrucciones sobre el uso de la función de derivación.

#### PRECAUCIÓN

Nunca remolque su tractor. Si se remolca el tractor con las ruedas traseras apoyadas en el suelo se pueden causar daños graves a las transmisiones.

### Portavasos (J)

El portavasos está ubicado a la izquierda del asiento del operador, en la consola izquierda.

### Palanca de ajuste del asiento (K)

La palanca de ajuste del asiento está ubicada debajo del asiento. La palanca de ajuste del asiento permite el ajuste del asiento del operador hacia adelante o hacia atrás. Consulte la sección Montaje y Configuración para ver instrucciones sobre el ajuste de la posición del asiento.

### Tapones del depósito de combustible (L)

En algunos modelos, los tapones del depósito de combustible están ubicados cerca de la parte media de la consola izquierda; en otros modelos, en la consola izquierda y derecha. Gire el tapón de llenado para retirarlo. El tapón del combustible está amarrado al tractor para impedir que se pierda. No intente retirar el tapón del tractor. Llene el depósito hasta la base del cuello de llenado, dejando un poco de espacio en el depósito para la dilatación del combustible. No llene en exceso el depósito de combustible.

Empuje el tapón hacia abajo sobre el cuello de llenado del depósito de combustible y gírelo en el sentido de las agujas del reloj hasta que se oiga un "clic" para ajustarlo. Siempre vuelva a colocar el tapón de combustible bien ajustado en el depósito después de quitarlo.

#### ADVERTENCIA

Nunca recargue el depósito de combustible si el motor está en funcionamiento. Si el motor está caliente por haber funcionado hasta hace poco, déjelo enfriar varios minutos antes de cargar combustible. La gasolina es muy inflamable y podría salpicar el motor y causar un incendio.

### Visores de nivel de combustible (M)

Los visores de nivel de combustible están ubicados en la parte exterior de la consola izquierda y derecha, y muestran el nivel de combustible que queda en el depósito.

### Control del acelerador (N)

El control del acelerador está ubicado en la consola derecha. Cuando se lo coloca en determinada posición, se mantiene una velocidad de motor uniforme.

Empuje la manija de control del acelerador hacia adelante para aumentar la velocidad del motor. El tractor está diseñado para que funcione con el control del acelerador en posición de velocidad rápida (aceleración máxima) cuando se conduce el tractor y se engancha la plataforma del tractor.

Tire de la manija de control del acelerador hacia atrás para reducir la velocidad del motor.



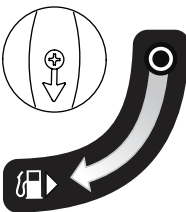
### Control del cebador (O)

El control del cebador está ubicado en la consola derecha. El control del cebador determina la posición del cebador del motor. Tire de la perilla hacia afuera para cebar el motor; empuje la perilla para abrir el cebador.



### Válvula de combustible (P) (si está equipada)

La válvula de combustible está ubicada en el lado interior de la consola derecha. La válvula alterna el flujo de combustible del depósito derecho e izquierdo y también puede interrumpir el flujo de combustible al motor. Gire la válvula hacia la parte trasera para abrir el flujo desde el depósito de combustible derecho. Gire la válvula hacia la parte delantera para abrir el flujo desde el depósito de izquierdo. Para interrumpir el flujo de combustible de ambos tanques, gire la válvula hacia la derecha del tractor, hasta la posición OFF (desactivada). Consulte la sección Operación para obtener más información sobre cómo utilizar la válvula de combustible.



### LCD avisador de servicio y medidor horario (Q)

Cuando se gira la llave de encendido de la posición STOP (detención), pero no a la posición de arranque, el LCD avisador de servicio y medidor horario mostrará brevemente la tensión de la batería, seguido de las horas acumuladas del tractor.

**Nota:** Las horas de funcionamiento del tractor se registran cada vez que se gira la llave de encendido de la posición STOP (detención), independientemente de si el motor arranca.

El avisador de servicio le recuerda al operador los intervalos de mantenimiento para cambiar el aceite del motor, el servicio del filtro de aire, advertencias de poca presión y poca batería.

### Cambiar el aceite

El LCD mostrará las letras "CHG" (cambiar), seguidas de las letras "OIL" (aceite), seguidas de las letras "SOON" (pronto), y luego finalmente seguidas por el tiempo acumulado del medidor. "CHG/OIL/SOON/TIME" se alternarán en la pantalla durante 7 minutos después de que el medidor llegue a 50 horas. Este intervalo del avisador de servicio de aceite se producirá cada 50 horas. Antes de que finalice el intervalo, cambie el nivel de aceite del motor según se indica en la sección Mantenimiento del Producto de este Manual del Operador.

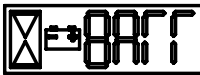
### Poco aceite

Las letras "LO" (nivel bajo) seguidas de las letras "OIL" (aceite), seguidas luego del tiempo acumulado del medidor indicarán que el tractor tiene poco aceite. Detenga el tractor de inmediato y controle el nivel de aceite del motor según las instrucciones de este Manual del Propietario.

**Nota:** La función "LOW OIL" (nivel bajo de aceite) solo funciona si el motor tiene un interruptor de presión de aceite.

### Poca batería

Al arrancar, se visualiza fugazmente el voltaje de la batería y luego cambia a horas acumuladas. Aparecen las letras "LO" (nivel bajo), seguidas de las letras "BATT" (batería), seguidas luego del tiempo acumulado del medidor. "LO/BATT/TIME" se muestra en la pantalla LCD cuando la tensión cae por debajo de 11.5 voltios. Cuando esto ocurre, significa que se debe cargar la batería o que el sistema de carga del motor no genera suficiente amperaje. Cargue la batería como se indica en la sección Cuidado del producto de este manual o haga controlar el sistema de carga por su distribuidor de servicio local.



### Mantenimiento del filtro de aire

Aparecen las letras "CLN" (limpiar), seguidas de las letras "AIR" (aire), seguidas por "FILT", seguidas luego del tiempo acumulado del medidor. "CLN/AIR/FILT/TIME" se alternarán en la pantalla durante 7 minutos después de que el medidor llegue a 25 horas. Este intervalo del avisador de servicio del filtro de aire será cada 25 horas. En intervalos comunes con el servicio del aceite, aparece el mensaje del aceite primero seguido por el mensaje del filtro de aire.



### Freno de mano/Pedal de bloqueo del control de crucero (R)

El freno de mano/pedal de bloqueo del control de crucero está ubicado en la base de la columna de la dirección. Se usa para poner el freno de mano cuando el tractor está inactivo. Cuando se engrana la palanca mientras el tractor está en movimiento permite que el tractor se mantenga a velocidad constante sin presionar el pedal de transmisión marcha adelante. Consulte la sección Funcionamiento de este manual para ver instrucciones detalladas sobre el freno de mano y la función de control de crucero.

**Nota:** El control de crucero NO podrá activarse a la velocidad absoluta más rápida del tractor. Si el operador intentara activarlo en esas condiciones, el tractor se desacelerará automáticamente a la velocidad de corte absoluta óptima y más rápida.

**Nota:** Si el operador abandona el asiento y deja el motor en funcionamiento, deberá colocar el freno de mano, o el motor se apagará de forma automática.



### Depósito de expansión de aceite de transmisión (no se muestra)

El depósito de expansión del aceite de transmisión está conectado por mangueras a los conjuntos de transmisión de lado derecho e izquierdo, y está ubicado detrás de la caja del asiento. La función del depósito es contener la expansión natural del aceite de transmisión que se produce a medida que la transmisión se calienta durante el funcionamiento de la máquina. Consulte la sección Montaje y Configuración para obtener más información sobre el depósito de expansión del aceite de la transmisión.

## Funcionamiento

### Seguridad general

- RECIBA LAS INSTRUCCIONES - Lea este manual del operador en su totalidad. Aprenda a usar esta máquina DE MANERA SEGURA. No se arriesgue a quedar expuesto a LESIONES o a la MUERTE. Solamente se debe permitir operar este tractor a quienes se hayan familiarizado a fondo con el uso del mismo.
- Antes de arrancar el motor o de empezar a operar, familiarícese con los controles. El operador debe estar en el asiento del operador. El interruptor de la toma de fuerza (PTO) debe estar en posición desactivada y el freno de mano debe estar activado.
- Mantenga todos los protectores en su lugar. Manténgase alejado de las piezas móviles.
- ¡NO SE PERMITE TRASLADAR PERSONAS EN EL TRACTOR! Mantenga a todas las personas y las mascotas a una distancia segura de la máquina. Siempre mire hacia atrás y hacia abajo a ambos lados del tractor antes de desplazarse marcha atrás.
- NO oriente la descarga de la cortadora hacia la gente. No camine ni se detenga del lado de la descarga de la cortadora si el motor está en marcha. Apague la toma de fuerza si otra persona se acerca mientras está usando el tractor cortacésped.
- En lo posible evite las pendientes. Nunca opere en pendientes mayores de 15°. Las pendientes con mayor inclinación presentan condiciones de operación peligrosas. Los tractores pueden voltearse. Siempre conduzca el tractor de forma transversal a la pendiente, nunca hacia arriba y hacia abajo. En lo posible evite girar cuesta abajo; arranque abajo y trabaje sin detenerse hasta la parte más alta. Ponga especial cuidado y conduzca lentamente al girar cuesta abajo. Controle la velocidad y la dirección de la máquina de radio de giro cero "principalmente" con el control de velocidad/direccional (barra) del lado cuesta debajo de la máquina, es decir, mantenga la barra del lado cuesta arriba "esencialmente" en posición fija.
- Antes de abandonar el asiento del operador, cierre la toma de fuerza (PTO) y ponga el freno de mano, apague el motor y retire la llave de encendido. Antes de realizar el mantenimiento o la limpieza de la máquina, espere hasta que cese totalmente el movimiento.
- Evite realizar movimientos bruscos del volante al arrancar o detener la máquina. Sujete firmemente el volante.
- Sea cuidadoso al operar cerca de rutas. Detenga el movimiento del tractor y espere a que pasen los vehículos antes de operar a lo largo de la ruta.
- No haga funcionar el tractor sin la plataforma de la cortadora. Si se quita la plataforma varía el equilibrio del tractor y éste podría voltearse.
- Evite operar en superficies de tracción inestables; tenga extrema precaución si la superficie es resbaladiza.
- Reduzca la velocidad antes de girar y deténgase completamente antes de cualquier maniobra de giro cero.
- No detenga ni estacione el tractor sobre materiales combustibles tales como pasto u hojas secas, desechos, etc.
- No llene el depósito de combustible con el motor en funcionamiento o si el mismo está caliente. Deje enfriar el motor varios minutos antes de la recarga de combustible. Apriete el tapón de combustible con firmeza.

### Interruptores de interbloqueo de seguridad

Este tractor está equipado con un sistema de interbloqueo de seguridad para protección del operador. Si el sistema de interbloqueo funciona mal, no se debe hacer funcionar el tractor. Póngase en contacto con su distribuidor Cub Cadet.

- El sistema de interbloqueo de seguridad impide que el motor arranque o se encienda a menos que esté colocado el freno de mano, y la perilla de toma de fuerza (PTO) esté en posición desactivada de apagado (OFF).
- Si el operador abandona su asiento antes de colocar el freno de mano, el motor se apagará automáticamente.

#### ⚠ ADVERTENCIA

No opere el tractor cortacésped si el sistema de enclavamiento funciona mal. El sistema fue diseñado para brindarle seguridad y protección.

### Antes de hacer funcionar el tractor

- Antes de hacer funcionar el tractor, lea este manual con atención para familiarizarse con el funcionamiento de todos los instrumentos y controles. El manual se preparó con la finalidad de ayudarlo a hacer funcionar y mantener el tractor eficientemente.
- Llene el depósito de combustible únicamente con gasolina sin plomo limpia y fresca, en un surtidor que indique un octanaje igual a 87 o más y 10% de etanol como máximo. Cuando el combustible llegue a la altura de una pulgada de la parte superior del depósito, deténgase. NO LLENE EL DEPÓSITO EN EXCESO. Debe quedar espacio para la dilatación de la gasolina.
- Se recomienda el uso de gasolina sin plomo porque deja menos depósitos en la cámara de combustión y reduce las emisiones de escape perjudiciales. No se recomienda el uso de gasolina con plomo; no se la debe usar en los lugares en los cuales las emisiones de escape se encuentran reguladas.

**Nota:** Compre gasolina en pequeñas cantidades. No use gasolina que haya quedado de la temporada anterior, para minimizar la formación de depósitos de caucho en el sistema de combustible.

- El gasohol (hasta 10% de alcohol etílico, 90% de gasolina sin plomo por volumen) es un combustible aprobado. No se aprueba el uso de otras mezclas de gasolina/alcohol.
- El éter metílico terciario-butílico (MTBE) y las mezclas de gasolina sin plomo (hasta un máximo de 15% de MTBE por volumen) son combustibles aprobados. No se aprueba el uso de otras mezclas de gasolina/éter.
- Revise el nivel de aceite del motor. Consulte el Manual del Operador del Motor para más instrucciones sobre cómo controlar el nivel del aceite del motor.
- Limpie el filtro de aire si es necesario.
- Controle la presión de inflado de los neumáticos. Consulte los laterales de los neumáticos para averiguar las presiones de inflado adecuadas.

**Nota:** Los neumáticos nuevos se inflan de forma excesiva para que el reborde se asiente bien en la llanta.

- Verifique que todas las tuercas, pernos y tornillos estén bien apretados.
- Verifique la tensión de las correas de transmisión de la plataforma.
  - Extraiga la cubierta de la plataforma
  - La tensión de las correas de la transmisión de la plataforma se mantiene mediante un mecanismo de resorte que se ajusta para corregir desgaste y estiramiento.

- Examine las correas para detectar si están cortadas, raídas y excesivamente desgastadas. Reemplácelas si se detecta alguno de estos problemas.
- Vuelva a colocar la cubierta de la plataforma.

- Verifique que la plataforma esté nivelada. Cuando se encuentra correctamente ajustada, la plataforma de corte debe estar nivelada de lado a lado, y la parte delantera de la plataforma debe estar aproximadamente ¼" por debajo de la parte trasera de la plataforma. Si hace falta nivelar la plataforma, consulte la sección Mantenimiento y Ajustes.
- Lubrique todos los puntos de pivote que se enumeran en la sección Mantenimiento y Ajustes.
- Ajuste el asiento para la mayor comodidad del operador, para una adecuada visibilidad y para mantener el control completo del tractor.

### Arranque del motor

#### ⚠ ADVERTENCIA

Esta unidad está equipada con un sistema de bloqueo de seguridad para protección del operador. No opere el tractor si alguna parte del sistema de bloqueo funciona mal. Controle periódicamente las funciones del sistema de bloqueo para verificar que funcionen adecuadamente.

#### ⚠ ADVERTENCIA

Por razones de seguridad personal, el operador debe estar sentado en el asiento del tractor al arrancar el motor.

**Nota:** Consulte las instrucciones de llenado de aceite en el Manual del Operador del motor y consulte las instrucciones de llenado de gasolina en la sección Montaje y Configuración.

- Abra la válvula de cierre de combustible (si está equipado) seleccionando el depósito de combustible derecho o izquierdo.
- El operador debe estar sentado en el asiento del tractor.
- Ponga el freno de mano oprimiendo hacia adelante el pedal de freno (a), luego oprima la palanca de control de crucero/freno de mano (b) y posteriormente suelte el pedal del freno (a). Consulte la Figura 3-1.

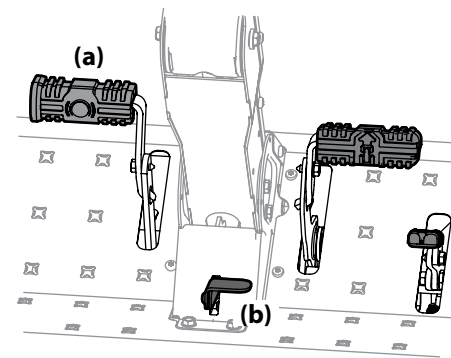


Figura 3-1

- Verifique que el interruptor de la PTO se encuentre en posición desactivada (abajo).
- Mueva el control del regulador a distancia media entre las posiciones VELOCIDAD LENTA y VELOCIDAD RÁPIDA.
- Mueva el control del cebador a la posición CHOKE (cebador).

**Nota:** Si el motor está caliente, tal vez no sea necesario colocar el control del cebador en la posición CHOKE (cebador).

- Gire la llave de encendido en el sentido de las agujas del reloj hasta la posición START (encendido). Una vez que arranque el motor, suelte la llave. Volverá a la posición NORMAL MOWING (corte normal).

#### ⚠ PRECAUCIÓN

NO mantenga la llave en la posición START (arranque) durante más de diez segundos por vez. Si lo hace, puede ocasionar daños al arrancador eléctrico del motor.

- A medida que el motor se calienta, empuje gradualmente el control del cebador hacia abajo.

**Nota:** NO deje el control del cebador en la posición CHOKE (cebador) mientras opera el tractor. Si lo hace, se generará una mezcla de combustible "rica", lo cual hará que el motor no funcione bien.

- Deje que el motor funcione unos cuantos minutos a una aceleración intermedia antes de someterlo a la carga.
- Observe el medidor horario/panel indicador. Si se enciende la luz del indicador de batería o de presión de aceite, detenga el motor inmediatamente. Haga controlar el tractor por el distribuidor Cub Cadet.

### Arranque del motor en climas fríos

Al arrancar el motor a temperaturas cercanas o inferiores al punto de congelamiento, asegúrese de que se use aceite de motor de viscosidad correcta y que la batería tenga carga completa. Arranque el motor de la siguiente forma:

- Asegúrese de que la batería se encuentre en buen estado. Una batería caliente tiene una capacidad de arranque mucho mayor que una batería fría.
- Use combustible fresco para uso invernal. La gasolina para uso invernal tiene mayor volatilidad a los efectos de mejorar el arranque. No use gasolina que le haya quedado del verano.
- Siga las instrucciones previas para Arrancar el motor.

### Use los cables de arranque para encender el motor

#### ⚠ ADVERTENCIA

Las baterías contienen ácido sulfúrico y producen gases explosivos. Asegúrese de que el área esté bien ventilada, use guantes y protectores de ojos y evite chispas o llamas cerca de la batería.

Si la carga de la batería no es suficiente para dar arranque al motor, vuelva a cargar la batería. Si no dispone de un cargador de batería y debe arrancar el tractor, puede ser necesario usar una batería de urgencia. Conecte la batería de urgencia de la siguiente forma:

- Conecte el extremo de un cable al borne positivo de la batería del tractor que no funciona; luego conecte el otro extremo de ese cable al borne positivo de la batería de urgencia.
- Conecte un extremo del otro cable al borne negativo de la batería de urgencia; luego conecte el otro extremo de ese cable al marco del tractor que no funciona, a la mayor distancia posible de la batería.
- Arranque el tractor que no funciona según las instrucciones de arranque normales indicadas más arriba; luego desconecte los cables de puente en orden exactamente inverso al de la conexión.
- Haga controlar y reparar el sistema eléctrico del tractor lo más pronto que fuere posible, para eliminar la necesidad de usar cables de puente para arrancarlo.

### Para parar el motor

- Coloque el interruptor de la toma de fuerza (PTO) en la posición desactivada.
- Aplique el freno de mano.
- Mueva el acelerador a la posición VELOCIDAD LENTA y deje que el motor funcione en ralentí durante aproximadamente un minuto.
- Gire la llave de encendido a la posición STOP (parada) y quite la llave del interruptor de encendido.

**Nota:** Siempre quite la llave del interruptor de encendido para evitar el arranque accidental o la descarga de la batería si el equipo queda sin supervisión.

- Cierre la válvula de paso de combustible.

### Conducción del tractor

#### ⚠ ADVERTENCIA

Evite arrancar súbitamente, desarrollar excesiva velocidad y parar inesperadamente.

- Suelte el freno de mano. Mueva la palanca de control del acelerador/estrangulador a la posición FAST (velocidad rápida).
- Para conducir hacia ADELANTE, presione lentamente el pedal de marcha adelante (a) hasta alcanzar la velocidad deseada. Vea la Figura 3-2.

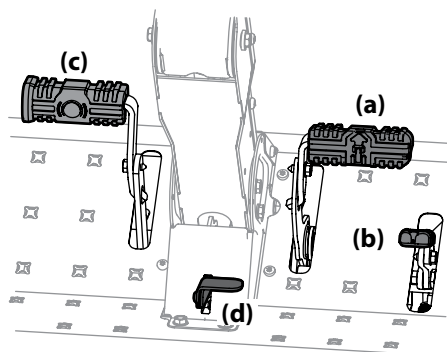


Figura 3-2

- Para que el tractor se detenga o ande más despacio, saque el pie del pedal de transmisión marcha adelante (a) o atrás (b). Para bloquear el freno de mano, oprima hacia adelante el pedal del freno (c), luego oprima la palanca de control (d) de cruceo/freno de mano y posteriormente suelte el pedal del freno.

- Para usar el control de cruceo:
  - Oprima el pedal de transmisión marcha adelante (a).
  - Mientras mantiene la velocidad deseada oprima la palanca de control de cruceo/freno de mano (d), luego suelte el pedal de transmisión de marcha adelante (a) para activar el control de cruceo.

- Para soltar el control de cruceo, oprima el freno (c) o el pedal de transmisión de marcha adelante (a).

**Nota:** Los pedales de transmisión de marcha adelante (a) y atrás (b) no se deben usar cuando el freno está parcialmente activado. Cuando el freno está trabado, la correa de transmisión se desengancha, pero si el freno está solamente parcialmente hacia atrás, entonces los frenos se activan pero también se engancha la correa de transmisión, de manera que la misma se dañará si se empuja hacia adelante o hacia atrás.

- Para conducir marcha atrás, verifique que el área de atrás esté despejada. Luego presione lentamente hacia adelante el pedal de transmisión marcha atrás con la parte anterior de la planta del pie (NO con el talón) hasta alcanzar la velocidad deseada. Vea la Figura 3-2.

#### ⚠ PRECAUCIÓN

NO intente cambiar la dirección de desplazamiento mientras el tractor está en movimiento. Siempre lleve el tractor a la detención completa antes de mover el tractor desde la posición de avance a la de marcha atrás o viceversa.

#### ⚠ ADVERTENCIA

No abandone el asiento del tractor sin colocar primero la perilla de la PTO en la posición desactivada OFF (apagado) y sin poner el freno de mano. Si deja el tractor sin vigilancia, apague el motor y retire la llave.

### Modo marcha atrás con precaución

La posición MODO DE PRECAUCIÓN EN MARCHA ATRÁS del módulo de encendido permite operar el tractor marcha atrás con las cuchillas (PTO) acopladas.

**Nota:** No se recomienda cortar el césped en marcha atrás.

#### ⚠ ADVERTENCIA

Tenga sumo cuidado al operar el tractor en el MODO DE PRECAUCIÓN EN MARCHA ATRÁS . Mire siempre hacia abajo y detrás de usted antes y durante la marcha atrás. No haga funcionar el tractor cuando haya niños u otras personas cerca. Detenga el tractor inmediatamente si alguien se acerca.

Para utilizar el MODO DE PRECAUCIÓN EN MARCHA ATRÁS .

**Nota:** El operador DEBE estar sentado en el asiento del tractor.

- Ponga en marcha el motor como se indicó previamente.
- Gire la llave de la posición CORTE NORMAL (a) a la posición MODO DE PRECAUCIÓN EN MARCHA ATRÁS (b) del módulo de encendido. Vea la Figura 3-3.

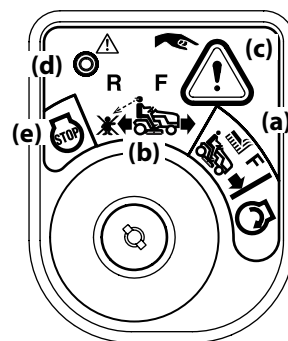




Figura 3-3

- Oprima el BOTÓN DE MARCHA ATRÁS (c) en el ángulo superior derecho del módulo de encendido. La luz indicadora roja (d) que está en el ángulo superior izquierdo del módulo de encendido se mantendrá ENCENDIDA mientras esté activada. Vea la Figura 3-3.
- Una vez activada (luz indicadora ENCENDIDA), el tractor podrá operar en marcha atrás con las cuchillas de corte (PTO) engranadas.
- Siempre mire hacia abajo y hacia atrás antes y mientras se desplaza marcha atrás, para verificar que no haya niños cerca. Una vez retomado el movimiento hacia adelante, vuelva la llave a la posición de CORTE NORMAL (a).

6. EL MODO DE PRECAUCIÓN EN MARCHA ATRÁS permanece activado hasta que **(B)** :
- La llave se coloque ya sea en la posición CORTE NORMAL  (a) o la posición STOP (detención) (e) o bien
  - El operador deja el asiento.

### Conducción en pendientes

Consulte la información sobre el indicador de pendiente en la Medidas de seguridad importantes para determinar en qué pendientes no puede operar el tractor de manera segura.

<b>⚠ ADVERTENCIA</b>
No corte en pendientes con una inclinación mayor de 15° (elevación aproximada de 2-½ pies por cada 10 pies). El tractor podría darse vuelta y causar lesiones graves.

- Corte de forma transversal a la pendiente, no hacia arriba ni hacia abajo.
- Tenga sumo cuidado al cambiar de dirección en una pendiente.
- Esté atento a los hoyos, surcos, baches, rocas, y otros objetos ocultos. El terreno desnivelado puede hacer que la máquina vuelque. El césped alto puede ocultar obstáculos.
- No gire en pendiente a menos que sea necesario; si lo hace, gire lentamente cuesta arriba y tenga sumo cuidado al hacerlo. Girar hacia arriba en una pendiente aumenta enormemente las posibilidades de que el vehículo dé una vuelta de campana.
- Evite parar cuando esté subiendo una pendiente. Si fuese necesario detenerse mientras sube una pendiente, arranque suave y cuidadosamente para reducir la posibilidad de que el tractor se dé vuelta hacia atrás.

### Funcionamiento de la toma de fuerza PTO

Opere el embrague de la toma de fuerza (PTO) de la siguiente forma:

**Nota:** Durante el período de asentamiento inicial de la unidad para activar la PTO y evitar que el motor se cale, permita que el motor se caliente antes de activar la PTO. El período de asentamiento varía según el motor.

- Mueva la palanca de control del acelerador hasta la posición PARADA.
- Tire del interruptor de la toma de fuerza (PTO) hacia arriba a la posición ENGAGED (activado).
- El operador debe permanecer sentado en el tractor en todo momento. Si el operador debe abandonar el asiento sin desactivar la toma de fuerza, se apagará el motor del tractor.
- No se puede utilizar el embrague de la PTO cuando el tractor se desplace marcha atrás. La PTO se desactivará cuando se desplazan ambas palancas de control de la transmisión hasta la posición de marcha atrás y volverá a activarse cuando se desplace una (o ambas) palanca de control a la posición neutral o de marcha adelante.

### Corte de césped

<b>⚠ ADVERTENCIA</b>
Para tratar de evitar el contacto con las cuchillas o una lesión por un objeto que sea arrojado, mantenga a los observadores, ayudantes, niños y mascotas alejados al menos 75 pies de la máquina mientras está funcionando. Pare la máquina si alguien ingresa a la zona.

<b>⚠ ADVERTENCIA</b>
Asegúrese de que el área donde se va a cortar esté libre de desechos, ramitas, piedras, cables u otros objetos que puedan ser arrojados por las cuchillas rotativas.

<b>⚠ ADVERTENCIA</b>
Planifique el patrón de corte, para evitar que la descarga de materiales se realice hacia los caminos, las aceras, los observadores, etc. Evite además descargar material contra una pared u obstrucción, ya que esto podría hacer que el material descargado rebota contra el operador.

<b>⚠ ADVERTENCIA</b>
Tenga sumo cuidado al atravesar senderos de grava o caminos de acceso. Desactive la PTO y levante la plataforma hasta la posición más alta antes de cruzar.

**Nota:** No enganche la plataforma de corte cuando esté baja sobre el pasto. Se produce el desgaste prematuro y la posible falla de la correa en "V" y del embrague de la PTO. Antes de activar la plataforma de corte, levante totalmente la plataforma o lleve la máquina a un área donde no haya césped.

- Corte de forma transversal a la pendiente, no hacia arriba ni hacia abajo. Si corta el césped en pendiente, comience por la base y desplácese hacia arriba para asegurar que siempre se gire cuesta arriba.
- No corte a alta velocidad absoluta, especialmente si tiene instalado un kit de abono o un colector de césped.
- No corte el césped demasiado corto. El césped corto fomenta el crecimiento de maleza y se pone amarillo rápidamente cuando escasea la lluvia.
- Siempre haga funcionar el tractor con el regulador en la posición RÁPIDA (liebre) mientras corta el césped
- Al realizar la primera pasada elija un punto del lado opuesto del área a cortar.
- Enganche el embrague de la toma de fuerza (PTO) usando el interruptor de la toma de fuerza (PTO) y mueva el control del acelerador/estrangulador a la posición FAST (velocidad rápida).
- Baje la plataforma de corte al ajuste de altura deseado usando la manija de elevación.
- Empuje el pedal de control de marcha de avance lentamente y de forma pareja hacia adelante para que el tractor avance hacia adelante, y mantenga la orientación del tractor en línea recta hacia el punto de alineación.
- Para obtener los mejores resultados, se recomienda realizar los dos primeros cortes de césped arrojando la descarga hacia el centro. Después de las dos primeras pasadas, cambie la dirección para arrojar la descarga hacia afuera, para equilibrar el corte. Esto otorgará un mejor aspecto al césped.
- NO intente cortar malezas frondosas o césped extremadamente alto. El tractor fue diseñado para cortar el césped, NO para podar malezas.
- Mantenga las cuchillas afiladas y cámbielas cuando se gasten.

- Quando se acerque al otro extremo de la franja, reduzca la velocidad o deténgase antes de girar. Se recomienda realizar un giro en U a menos que sea necesario realizar un giro de radio cero.
  - Alinee la cortadora de césped con un borde de la franja cortada y superponga la pasada aproximadamente 3 pulgadas.
  - Oriente el tractor en cada franja subsiguiente de modo que se alinee con la franja ya cortada.
  - Para evitar la formación de surcos o ranuras en el césped, en lo posible varíe la dirección de las franjas de corte aproximadamente 45° en cada corte subsiguiente.
- Nota:** Siempre que detenga el tractor por cualquier razón en un área de césped, haga lo siguiente:
- Coloque el freno de mano,
  - Apague el motor y retire la llave.
  - Eso permitirá reducir al mínimo la posibilidad de que su césped resulte "quemado" por el escape caliente del motor en funcionamiento.

### Palanca de elevación de la plataforma

Para levantar o bajar la plataforma de corte, oprima el botón que está en el extremo de la manija y empujela hacia abajo para bajar la plataforma o tire hacia arriba para levantarla, luego ubíquela en el orificio más adecuado para su aplicación. Para ubicar la plataforma en la posición de transporte, eleve la manija completamente y enganche el gancho superior en la palanca del espaciador superior del soporte de posicionamiento de la altura de la plataforma. Vea la Figura 3-4.

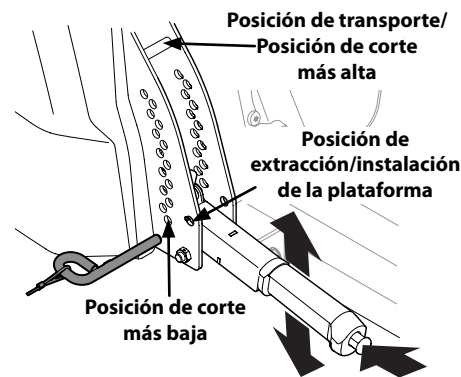


Figura 3-4

**Nota:** Asegúrese de que la pantalla esté asegurada y de que el pasador esté totalmente insertado en el posicionamiento de la altura de la plataforma. El pasador tiene encajes que ayudan a mantenerlo en su lugar y se calza en los orificios ranurados del posicionamiento de la altura de la plataforma.

**Nota:** La palanca de elevación de la plataforma siempre debe estar sobre el pasador; nunca cuelgue la palanca de elevación de la plataforma desde el pasador durante el corte.

## Programa de Mantenimiento

	Antes de cada uso	Después de las primeras 5 horas	Cada 10 Horas	Cada 25 Horas	Cada 50 Horas	Cada 100 Horas	Antes de almacenar	Consulte el manual del motor
Revise el filtro de admisión/limpie si corresponde	✓						✓	
Revise y limpie de residuos los ventiladores de refrigeración del motor	✓						✓	
Controle el nivel de aceite del motor	✓							
Revise si el filtro de aire está sucio, flojo o tiene piezas dañadas	✓							
Limpie las ranuras de enfriamiento de la transmisión	✓							
Limpie los bornes de la batería			✓				✓	
Engrase todos los puntos de lubricación			✓				✓	
Revise las cuchillas/afile o reemplace si corresponde			✓				✓	
Revise la presión de los neumáticos			✓				✓	
Lubrique las ruedas delanteras			✓				✓	
Revise/limpie la parte de abajo de la plataforma			✓					
Inspeccione y lubrique las ruedas de la plataforma				✓			✓	
Revise el nivel/inclinación de la plataforma				✓			✓	
Lubrique husillos de la plataforma				✓			✓	
Revise las correas y poleas viendo se están dañadas/gastadas					✓			
Compruebe que todos los elementos de ferretería están en su lugar y asegurados						✓		
Revise y limpie debajo del panel del piso	✓						✓	
Controle el estado y la separación de la bujía de encendido						✓	✓	✓
Cambio del aceite de asentamiento del motor		✓						✓
Cambie el aceite del motor					✓		✓	✓
Reemplace el filtro de aceite					✓		✓	✓
Limpie o cambie el filtro de aire					✓			✓
Reemplace el filtro de combustible					✓			✓
Haga revisar y ajustar la holgura de la válvula *								✓

\* -- Solicite a un distribuidor de servicio autorizado que realice este servicio

**Nota:** Este manual del operador abarca numerosos modelos. Las características del tractor pueden variar según los modelos. No todas las características que se incluyen en este manual se aplican a todos los modelos de tractor y la máquina que se ilustra aquí puede diferir de la suya.

## Solución de Problemas

### Excesiva vibración

1. Cuchilla de corte floja o descentrada.
  - Apriete la cuchilla y el husillo.
2. Cuchilla de corte dañada o doblada.
  - Reemplace la cuchilla.

### Corte irregular

1. La plataforma no está correctamente nivelada.
  - Haga un ajuste de la plataforma de lado a lado.
2. Cuchilla desafilada.
  - Afile o cambie la cuchilla.
3. Presión de neumáticos desigual.
  - Verifique la presión de los cuatro neumáticos.

### El tractor no realiza abono con los recortes de césped (si está equipado con el kit de abono)

1. La velocidad del motor es demasiado lenta.
  - Coloque el control del acelerador en la posición FAST (velocidad rápida) (representada con una liebre).
2. Pasto mojado.
  - No procese abono cuando el pasto está mojado.
3. Pasto demasiado alto.
  - Corte una vez con altura de corte elevada y luego vuelva a cortar el césped a la altura deseada, o haga una pasada de corte más angosta.
4. Cuchilla desafilada.
  - Afile o cambie la cuchilla.

## Mantenimiento

### ⚠ ADVERTENCIA

Antes de realizar tareas de mantenimiento o reparaciones, desconecte la toma de fuerza (PTO), mueva las palancas de control totalmente hacia afuera hasta la posición de punto muerto, coloque el freno de mano, apague el motor y retire la llave, para evitar el encendido accidental del motor.

### Motor

Consulte las instrucciones y los procedimientos de mantenimiento del motor en el Manual del Operador del motor.

**Nota:** El mantenimiento, reparación o reemplazo de los dispositivos y sistemas del control de emisiones, que corre por cuenta del cliente, puede realizarlo cualquier establecimiento o individuo especializado en reparaciones de motores. **Los arreglos en garantía deben ser realizados por distribuidor de servicio autorizado.**

### Cambio de aceite del motor

### ⚠ ADVERTENCIA

Si el motor ha estado en funcionamiento recientemente, el motor, el silenciador y las superficies metálicas circundantes estarán calientes y pueden causar quemaduras en la piel. Actúe con precaución para evitar quemaduras.

Para realizar el cambio de aceite, proceda de la siguiente manera:

1. Haga funcionar el motor por un período corto para calentar el aceite del motor. El aceite fluirá mejor y limpiará las impurezas. Tenga cuidado y evite quemarse con el aceite caliente.

2. Ubique la manguera de drenaje de aceite (a) del lado derecho del motor. Vea la Figura 4-1.

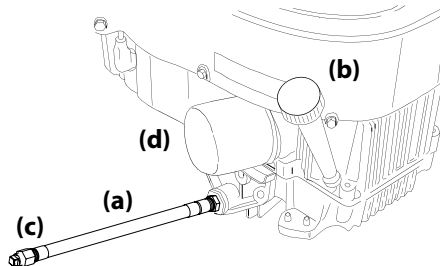


Figura 4-1

3. Coloque el extremo libre de la manguera de drenaje de aceite (a) en un depósito de recolección de aceite adecuado que posea una capacidad de por lo menos 2,5 cuartos de galón (2,4 litros) para recoger el aceite usado. Retire el tapón de llenado de aceite/la varilla de nivel de aceite (b) del tubo de llenado.
4. Mientras sostiene el extremo libre de la manguera de drenaje de aceite (a) sobre el recipiente de recolección de aceite, desatornille el tapón de cabeza cuadrada del extremo de la manguera. Vea la Figura 4-1. Drene el aceite del motor dentro del recipiente.
5. Una vez que haya drenado el aceite, limpie el aceite residual de la manguera de drenaje (a). Enrosque el tapón de cabeza cuadrada de la manguera (c) en la manguera de drenaje de aceite (b) y apriete el tapón de cabeza cuadrada de la manguera (c) por completo.
6. Vuelva a colocar el filtro de aceite (d) y cargue el motor con aceite nuevo según las instrucciones del Manual del operador del motor.

### Limpieza y lubricación de las poleas del husillo

Una vez por mes retire las cubiertas de la correa para quitar cualquier acumulación de recortes de césped que haya alrededor de las poleas del husillo y de la correa en 'V'. Limpie con mayor frecuencia si corta césped alto y seco.

Cada 25 horas, lubrique los husillos de la plataforma. Ubique los accesorios de lubricación de los husillos y, con una pistola de engrase, lubrique los husillos. El husillo tiene capacidad para 2.3 onzas de grasa. Vea la Figura 4-2.

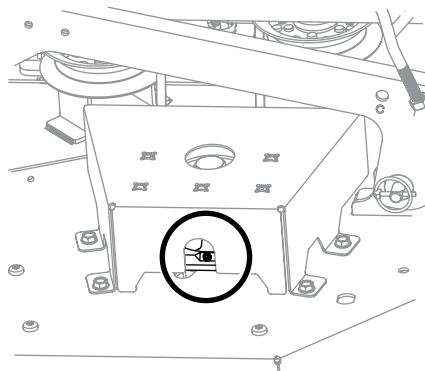


Figura 4-2

## Lubricación



**¡ADVERTENCIA!** Antes de lubricar, reparar o inspeccionar, desconecte la toma de fuerza (PTO), ponga el freno de mano, pare el motor y retire la llave, para evitar el encendido accidental del motor.

### Puntos de pivote y varillaje

Lubrique todos los puntos de pivote del sistema de impulsión, el freno de mano y el varillaje de elevación al menos una vez por temporada con aceite ligero.

### Ruedas delanteras

Cada uno de los ejes y llantas de las ruedas delanteras viene equipado con engrasadores. Vea la Figura 4-3. Lubrique con una grasa multiuso No. 2 aplicada con una pistola de engrase cada 25 horas de funcionamiento del tractor.

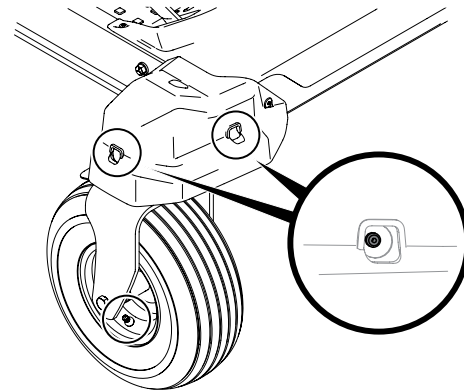


Figura 4-3

### Limpieza de las ranuras de enfriamiento de la transmisión

Mantenga ambos lados de las ranuras de enfriamiento de la transmisión ubicadas en el bastidor, entre el motor y la caja del asiento, libres de recortes de césped y de hojas.

### ⚠ ADVERTENCIA

Si el motor ha estado en funcionamiento recientemente, el motor, el silenciador y las superficies metálicas circundantes estarán calientes y pueden causar quemaduras en la piel. Actúe con precaución para evitar quemaduras.

### Uso del sistema de lavado de la plataforma

### ⚠ ADVERTENCIA

Cuando use el sistema de lavado de la plataforma, nunca enganche la plataforma desde otra posición que no sea la del asiento del operador del tractor. No use un asistente ni active la plataforma en presencia de ningún observador.

1. Una el adaptador del pico a una manguera de jardín estándar conectada al suministro de agua.
2. Desplace el tractor a un área al alcance de la manguera, en la cual la dispersión de recortes de pasto húmedo sea aceptable para usted. Desconecte la toma de fuerza (PTO), aplique el freno de mano y detenga el motor.

- Tire hacia atrás el collarín de ajuste (a) del adaptador del pico (b) y empuje el adaptador del pico (b) hacia uno de los picos de lavado de la plataforma (c) de cualquiera de los dos extremos de la plataforma de corte. Suelte el collarín de ajuste (a) para trabar el adaptador en el pico (b) en el pico de lavado de la plataforma (c). Vea la Figura 4-4.

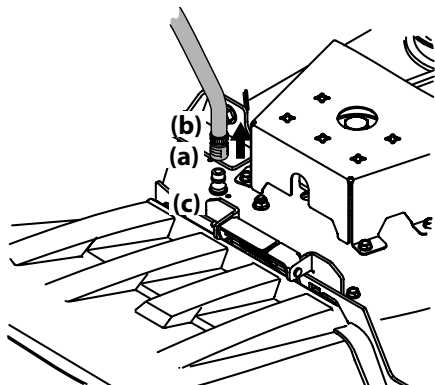


Figura 4-4

- Abra el suministro de agua.
- Desde el asiento del operador del tractor, arranque el motor y enganche la PTO. Deje funcionar según sea necesario. Desactive la toma de fuerza (PTO) y detenga el motor.
- Cierre el suministro de agua.
- Tire del collarín de ajuste (a) del adaptador del pico (b) hacia atrás para desconectar el adaptador del pico (b) del pico de lavado de la plataforma (c).
- Repita los pasos anteriores para limpiar la plataforma usando el pico (c) del otro extremo de la plataforma.

## Neumáticos

Controle la presión de aire de los neumáticos cada 50 horas de operación o una vez por semana. Mantenga los neumáticos inflados a las presiones recomendadas. El inflado inadecuado de un neumático reduce su vida útil. Consulte los laterales de los neumáticos para averiguar las presiones de inflado adecuadas. Respete las siguientes pautas:

- No infle los neumáticos por encima de la presión máxima que se muestra en el lateral del neumático.
- No vuelva a inflar un neumático que se ha utilizado desinflado o desinflado en extremo. Un gomero calificado debe inspeccionar y reparar el neumático.

## Información general sobre la batería

### ⚠ ADVERTENCIA

En caso de que se produzca una salpicadura accidental de ácido en los ojos o sobre la piel, enjuague el área afectada inmediatamente con agua limpia fría. Si tiene algún malestar adicional, consulte un médico inmediatamente.

Si el ácido salpica la ropa, en primer lugar dilúyalo con agua limpia, luego neutralícelo con una solución de agua/amoniaco o bicarbonato/agua.

NUNCA conecte (o desconecte) las abrazaderas del cargador de la batería a la batería si el cargador está encendido, ya que puede causar chispas.

Mantenga todas las fuentes de combustión (cigarrillos, cerillas, encendedores) lejos de la batería. El gas generado durante la carga puede ser combustible.

Como precaución adicional, cargue la batería únicamente en un área bien ventilada.

Siempre proteja sus ojos y su piel y vestimenta cuando trabaje cerca de baterías.

Las baterías contienen ácido sulfúrico y pueden producir gases explosivos. Tenga extremo cuidado cuando manipule baterías. Mantenga las baterías lejos del alcance de los niños.

### Mantenimiento de la batería

- La batería se llena con ácido de batería y se sella en fábrica. Sin embargo, para asegurar un ciclo de vida adecuado es necesario realizar cierto mantenimiento, aún en las baterías 'sin mantenimiento'.
- Rocíe los bornes y el cable expuesto con un sellador de bornes de batería, o recubra los bornes con una capa delgada de grasa o vaselina para protegerlos contra la corrosión.
- Siempre mantenga limpios y libres de corrosión los cables y los bornes de la batería.
- Evite inclinar la batería. Hasta una batería sellada pierde electrolito si se la inclina.

### ⚠ ADVERTENCIA

Las baterías contienen ácido sulfúrico y pueden producir gases explosivos. Tenga extremo cuidado cuando manipule baterías. Mantenga las baterías lejos del alcance de los niños.

### Almacenamiento de la batería

- Cuando el tractor se guarda durante períodos prolongados, desconecte el cable negativo de la batería. No es necesario retirar la batería.
- Todas las baterías se descargan durante el almacenamiento. Mantenga el exterior de la batería limpio, especialmente la parte superior. Una batería sucia se descarga con mayor rapidez.
- La batería debe guardarse con carga completa. Una batería descargada se puede congelar más pronto que una batería cargada. Una batería con carga completa se guarda por más tiempo en temperaturas frías que en temperaturas altas.
- Vuelva a cargar la batería antes de volver a ponerla en servicio. Aun cuando el tractor pueda arrancar, el sistema de carga del motor tal vez no recargue totalmente la batería.

## Transmisión hidrostática

Su tractor con radio de giro cero está equipado con bombas hidrostáticas integradas dobles/transejes que están sellados y no necesitan mantenimiento. Sin embargo, este modelo está equipado con un depósito de expansión de aceite de transmisión. En condiciones operativas normales, no es necesario controlar el nivel de aceite del depósito de expansión y no hace falta aceite adicional. Si controla el nivel de aceite de ese depósito, proceda de la siguiente manera:

### ⚠ ADVERTENCIA

Controle el nivel de aceite ÚNICAMENTE antes de arrancar el tractor cuando el aceite de transmisión está totalmente refrigerado.

- Gire el asiento del operador hacia adelante y limpie la tapa del depósito y el área que la rodea para evitar que el aceite de transmisión se contamine con residuos. Vea la Figura 4-5.

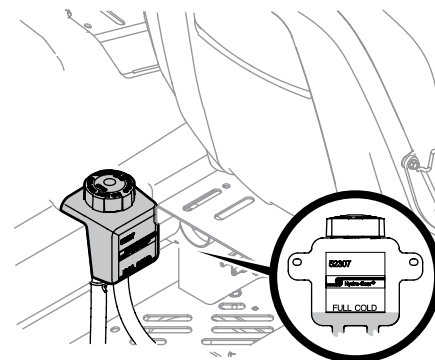


Figura 4-5

- Gire la tapa del depósito en sentido contrario al de las agujas del reloj para retirarla, luego controle el nivel de aceite del depósito. El aceite debe ser visible en la base de la cubeta, pero el nivel del mismo NO debe estar por encima de la línea de "LLENO FRÍO". Vea la Figura 4-5. NO LLENE EL DEPÓSITO.
- Si es necesario agregar aceite a causa de algún tipo de pérdida, use aceite para motor de calidad 20W50 y agregue solamente la cantidad suficiente para llevar el nivel a la línea de "LLENO FRÍO". Vuelva a colocar el tapón y ajústelo completamente.

**Nota:** Antes del funcionamiento inicial del tractor, el nivel de aceite del depósito puede estar levemente por encima del máximo debido al aire que hay en las líneas de aceite. El funcionamiento del tractor finalmente purgará el aire de las líneas y el nivel de aceite se estabilizará en el máximo.

## Almacenamiento del tractor

Si el tractor no va a funcionar por un período prolongado (desde treinta días hasta aproximadamente seis meses), se lo debe preparar para el almacenamiento. Guarde el tractor en un lugar seco y protegido. Si lo guarda afuera, cúbralo (incluidos los neumáticos) para protegerlo de los fenómenos climáticos. Cada vez que se prepara el tractor para dejarlo fuera de uso se deben realizar los procedimientos que se describen más abajo.

- Cambie el aceite y filtro de motor según las instrucciones suministradas en el manual del motor entregado con este manual.

### ⚠ ADVERTENCIA

Nunca guarde el tractor con combustible en el depósito en un lugar cerrado o con escasa ventilación, donde los gases del combustible pueden generar fuego, chispas o encender una luz piloto como la de hornos, calentadores de agua, secadores de ropa, etc.

2. Si guarda el tractor por 30 días o más:
- Para evitar que se formen depósitos de goma dentro del carburador del motor y posibles desperfectos en el motor, el sistema de combustible debe ser vaciado completamente, o se debe tratar la gasolina con un estabilizador para evitar el deterioro.

#### ⚠ ADVERTENCIA

El combustible que queda en el depósito se deteriora y causa graves problemas de arranque.

- Uso de un estabilizador de combustible para almacenamiento de entre 30 y 90 días:
  - Lea las instrucciones y recomendaciones del fabricante del producto.
  - Agregue a la gasolina limpia y fresca la cantidad correcta de estabilizador según la capacidad (aproximadamente 3 galones) del sistema de combustible.
  - Llene el depósito de combustible con combustible tratado y haga funcionar el motor 2-3 minutos para estabilizar el combustible dentro del carburador.
- Vaciado del sistema de combustible para almacenamiento de más de 90 días:
  - Antes de guardar el tractor, observe el consumo de combustible a los efectos de hacer funcionar el tractor hasta que el depósito esté vacío.
  - Haga funcionar el motor hasta que comience a detenerse. Use el cebador para mantener el motor en funcionamiento hasta que se haya agotado todo el combustible del carburador.
  - Drene el combustible del recipiente del carburador, consultando el manual del motor.

- Limpie perfectamente el motor y toda la unidad.
- Cargue totalmente la batería, luego desconecte el cable negativo de la batería para evitar posibles descargas. Vuelva a cargar la batería periódicamente durante el almacenamiento.

**Nota:** Retire la batería si está expuesta a períodos prolongados de temperaturas inferiores al congelamiento. Guarde en un lugar fresco y seco, donde las temperaturas estén por encima del punto de congelamiento.

- Lubrique todos los puntos de lubricación.

**Nota:** No se recomienda el uso de una lavadora de presión ni de una manguera de jardín para limpiar el tractor. Puede dañar los componentes eléctricos, los husillos, las poleas, los rodamientos o el motor. El uso de agua acortará la vida útil de la máquina y reducirá su capacidad de servicio.

### Retiro del tractor del lugar de guarda

- Controle el nivel de aceite de motor.
- Cargue totalmente la batería e infle los neumáticos a la presión recomendada.
- Llene el depósito de combustible con gasolina limpia y nueva.
- Arranque el motor y déjelo andar en ralentí unos cuantos minutos para asegurar que su funcionamiento sea adecuado.
- Conduzca el tractor sin carga para estar seguro de que todos los sistemas del tractor funcionan correctamente.

### Ajustes



**¡ADVERTENCIA!** Apague el motor, retire la llave de encendido y coloque el freno de mano antes de realizar ajustes. Proteja sus manos utilizando guantes reforzados cuando manipule las cuchillas.

### Nivelación de la plataforma

**Nota:** Controle la presión de neumáticos del tractor antes de realizar cualquier nivelación de la plataforma. Consulte la sección Neumáticos para obtener información sobre la presión de los neumáticos.

#### ⚠ ADVERTENCIA

Apague el motor, retire la llave de encendido y coloque el freno de mano antes de realizar ajustes. Proteja sus manos utilizando guantes reforzados cuando manipule las cuchillas.

### Nivelación de la plataforma (de lado a lado)

**Nota:** Controle la presión de neumáticos del tractor antes de realizar cualquier nivelación de la plataforma. Consulte la sección Neumáticos para obtener información sobre la presión de los neumáticos. Nivele siempre la plataforma lado a lado antes de alinearla adelante atrás.

Si la plataforma de corte estuviera realizando el corte de césped de forma despareja, puede realizarse el ajuste lado a lado. De ser necesario, realice un ajuste de la siguiente manera:

- Con el tractor estacionado sobre una superficie firme y nivelada, coloque la manija de elevación de la plataforma en una posición de corte media y rote las dos cuchillas exteriores para que se sitúen de forma perpendicular al tractor.
- Mida la distancia desde la parte externa de la punta de la cuchilla izquierda hasta el piso, y desde la parte externa de la punta de la cuchilla derecha hasta el piso. Las dos mediciones obtenidas deben ser iguales. Si no lo son, realice el siguiente paso.
- Afloje la contratuerca inferior (a) del brazo de elevación ajustable (b) que está conectado al brazo de elevación de la plataforma (c) a fin de bajar la plataforma y ajuste la contratuerca superior (d) para sujetar la plataforma en su lugar, afloje la contratuerca superior (d), luego ajuste la contratuerca inferior (a) para elevar la plataforma y sujetarla en su lugar. Vea la Figura 4-6.

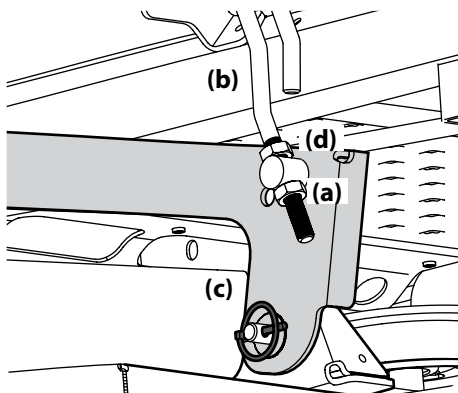


Figura 4-6

- La plataforma se encuentra correctamente nivelada cuando las dos mediciones desde las puntas de las cuchillas son iguales.

### Nivelación de la plataforma (de adelante hacia atrás)

**Nota:** Controle la presión de neumáticos del tractor antes de realizar cualquier nivelación de la plataforma. Consulte la sección Neumáticos para obtener información sobre la presión de los neumáticos. Nivele siempre la plataforma lado a lado antes de alinearla adelante atrás.

El frente de la plataforma debe estar entre  $\frac{1}{4}$ "- $\frac{3}{8}$ " más bajo que la parte posterior de la plataforma. De ser necesario, realice un ajuste de la siguiente manera:

- Estacione el tractor sobre una superficie firme y nivelada, y coloque la manija de elevación de plataforma en una posición media.
- Rote la cuchilla lo más cerca posible del canal de descarga de manera que esté en paralelo con el tractor.
- Mida la distancia desde la parte delantera de la punta de la cuchilla hasta el piso, y desde la parte posterior de la punta de la cuchilla hasta el piso. La primera medición debe ser entre  $\frac{1}{4}$ " y  $\frac{3}{8}$ " menor que la segunda.
- Determine la distancia aproximada necesaria para un ajuste adecuado y, de ser necesario, proceda.
- Con una llave, eleve la parte delantera de la plataforma, para lo que debe aflojar las tuercas de seguridad (a) al frente del pasador de pivote (b) y luego ajuste las contratuercas (c) en la parte posterior de dicho pasador para elevar la parte delantera de la plataforma y sujetarla en su lugar. Vea la Figura 4-7.

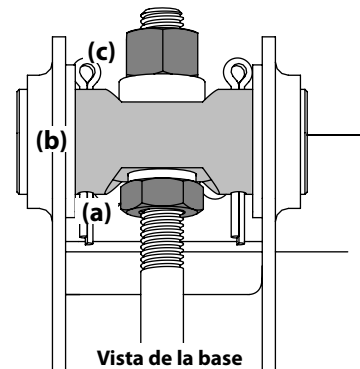


Figura 4-7

- Con una llave, baje la parte delantera de la plataforma, para lo que debe aflojar las tuercas de seguridad (c) de la parte posterior del pasador de pivote (b) y luego ajuste la contratuerca (a) en el frente de dicho pasador para bajar el frente de la plataforma y sujetarla en su lugar. Vea la Figura 4-7.
- La plataforma está correctamente nivelada cuando la punta delantera de la cuchilla está  $\frac{1}{4}$ " más baja que la punta trasera.

### Ajuste de las ruedas de calibración delanteras

#### ⚠ ADVERTENCIA

Mantenga las manos y los pies alejados de la abertura de descarga de la plataforma de corte.

Las ruedas calibradoras delanteras de la plataforma del tractor constituyen un mecanismo para el cuidado del césped y no se deben usar para desplazarse sobre el piso. Las ruedas calibradoras delanteras deben ser aproximadamente  $\frac{1}{4}$ "- $\frac{1}{2}$ " por encima del suelo cuando la plataforma se fija en el valor de altura deseado.

Usando la manija de elevación de la plataforma, fije la plataforma en el valor de altura deseado, luego controle la distancia entre la rueda de calibración y el piso. Si es necesario ajuste las ruedas de calibración delanteras de la siguiente forma:



1. Controle visualmente la distancia entre las ruedas de calibración delanteras y el suelo. Si las ruedas de calibración están cerca del suelo o lo tocan, es necesario levantarlas. Si las ruedas de calibración se encuentran a más de  $\frac{1}{2}$ " del suelo, es necesario bajarlas.
2. Retire la tuerca de seguridad (a) que fija uno de los tornillos hexagonales (c) de las ruedas de calibración delanteras (b) a la plataforma. Retire la rueda de calibración (b), el tornillo hexagonal (c) y el espaciador (d). Vea la Figura 4-8.

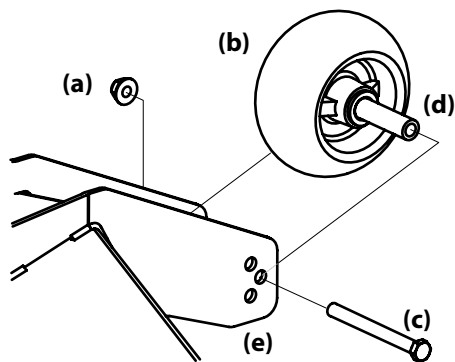


Figura 4-8

3. Inserte el tornillo hexagonal (c) en uno de los tres orificios de posicionamiento del soporte (e) de la rueda de calibración delantera que le dará a la rueda de calibración delantera (b), una separación de  $\frac{1}{4}$ - $\frac{1}{2}$ " del suelo.
4. Observe el orificio de posicionamiento de la rueda de calibración delantera (b) que acaba de ajustar y ajuste la otra rueda de calibración delantera (b) en el orificio de posicionamiento respectivo del otro soporte de rueda de calibración delantera de la plataforma (e).

### Ajuste del freno de mano

Si el tractor no se detiene por completo cuando se presiona totalmente el pedal del freno, o si las ruedas traseras del tractor pueden rodar con el freno de mano aplicado (y la válvula de descarga hidrostática abierta), significa que el freno necesita ajustes. Consulte con su distribuidor Cub Cadet para realizar un ajuste correcto del freno.

## Almacenamiento fuera de temporada

### Almacenamiento del tractor

Si el tractor no va a funcionar por un período prolongado (desde treinta días hasta aproximadamente seis meses), se lo debe preparar para el almacenamiento. Guarde el tractor en un lugar seco y protegido. Si lo guarda afuera, cúbralo (incluidos los neumáticos) para protegerlo de los fenómenos climáticos. Cada vez que se prepara el tractor para dejarlo fuera de uso se deben realizar los procedimientos que se describen más abajo.

1. Cambie el aceite y filtro de motor según las instrucciones suministradas en el Manual del operador del motor.

#### ⚠ ADVERTENCIA

Nunca guarde el tractor con combustible en el depósito en un lugar cerrado o con escasa ventilación, donde los gases del combustible pueden generar fuego, chispas o encender una luz piloto como la de hornos, calentadores de agua, secadores de ropa, etc.

2. Realice el mantenimiento del motor como se indica en el Manual del operador del motor por separado.

3. Para almacenar motores entre 30 y 90 días es necesario tratarlos con un estabilizador de gasolina y para almacenarlos durante más de 90 días se debe drenar el combustible para evitar deterioros y la formación de depósitos de goma en el sistema de combustible o en piezas fundamentales del carburador. Si la gasolina en su motor se deteriora durante el almacenamiento, puede resultar necesario reparar o reemplazar el carburador y otros componentes del sistema de combustible.

#### ⚠ ADVERTENCIA

Drene el combustible únicamente dentro de un recipiente aprobado y al aire libre, lejos de cualquier llama expuesta. Deje que el motor se enfríe. Apague cigarrillos, cigarros, pipas y otras fuentes de combustión antes de drenar el combustible.

3. Retire las bujías y vierta aproximadamente una onza de aceite en cada cilindro. Haga arrancar el motor una o dos vueltas para que el aceite se distribuya de forma pareja en las paredes del cilindro. Vuelva a colocar las bujías.
4. Limpie perfectamente el motor y toda la unidad.

**Nota:** No se recomienda el uso de una lavadora de presión ni de una manguera de jardín para limpiar el tractor. Pueden producir daños a los componentes eléctricos, husillos, poleas, rodamientos o al motor. El uso de agua acortará la vida útil de la máquina y reducirá su capacidad de servicio.

5. Afíle las cuchillas para que el tractor esté listo para el uso cuando necesite usarla.
6. Proteja las superficies metálicas. Repare las rayas con pintura de retoque adecuada en aerosol. Pincele cualquier superficie no pintada, incluidas las poleas y las cuchillas, con aceite preventivo de herrumbre. (Tenga cuidado para que el aceite no toque las correas de transmisión).
7. Limpie y cargue totalmente la batería, luego desconecte el cable negativo de la batería para evitar posibles descargas. Vuelva a cargar la batería periódicamente durante el almacenamiento.

**Nota:** Retire la batería si está expuesta a períodos prolongados de temperaturas inferiores al congelamiento. Guarde en un lugar fresco y seco, donde las temperaturas estén por encima del punto de congelamiento.

8. Lubrique todos los puntos de lubricación.
9. Levante el tractor y guárdelo sobre bloques para que el peso no se apoye sobre los neumáticos.

## Retiro del tractor del lugar de guarda

1. Controle el nivel de aceite de motor.
2. Cargue totalmente la batería, retire el tractor de los bloques e infle los neumáticos a la presión recomendada.
3. Retire las bujías y límpielas. Con el arrancador, arranque el motor para bombear el exceso de aceite y sacarlo de los orificios de las bujías. Vuelva a colocar las bujías y los conductores de encendido.
4. Si se vació el depósito de combustible antes de guardar el tractor, llénelo con gasolina limpia y nueva.
5. Compruebe el nivel de aceite del motor dentro del cigüeñal y el depósito de fluido hidráulico.
6. Arranque el motor y déjelo andar en ralentí unos cuantos minutos para asegurar que su funcionamiento sea adecuado.
7. Conduzca el tractor sin carga para estar seguro de que todos los sistemas del tractor funcionan correctamente.

## Servicio

### Retiro de la batería

#### ⚠ ADVERTENCIA

Los bornes, terminales y accesorios de la batería contienen plomo y compuestos de plomo. Lávese las manos después de estar en contacto con estos componentes.

La batería está ubicada debajo del marco del asiento. Para retirar la batería:

1. Extraiga el tornillo de cabeza hexagonal con arandela (a) que sujeta el soporte de sujeción de la batería al marco (b). Luego levante el soporte de sujeción (b) de la batería para liberar la batería. Vea la Figura 4-9.

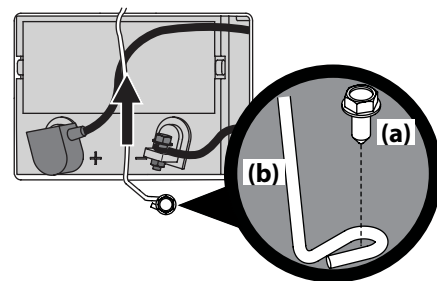


Figura 4-9

2. Retire el tornillo hexagonal y la tuerca Sems que fijan el conductor negativo negro de la batería al borne negativo de la batería (marcado 'NEG'). Aleje el cable del borne negativo de la batería.
3. Retire el tornillo hexagonal y la tuerca Sems que fijan el conductor positivo rojo de la batería al borne positivo de la batería (marcado 'POS').
4. Levante con cuidado la batería para sacarla del tractor.
5. Instale la batería repitiendo los pasos anteriores en orden inverso.

#### ⚠ ADVERTENCIA

Siempre conecte el conductor positivo a la batería antes de conectar el conductor negativo. Esto evita la generación de chispas o posibles lesiones producidas por un cortocircuito eléctrico causado por el contacto del cuerpo del tractor con las herramientas que se usan para conectar los cables.

## Carga de la batería

Si el tractor ha estado guardado durante un tiempo, pruebe la batería y, si es necesario, recárguela.

- Un voltímetro o medidor de carga debería dar una lectura de 12.6 voltios (CC) o más en todos los bornes de la batería. Vea la Figura 4-10.

Leerura del voltímetro	Estado de la carga	Tiempo de carga
12,7	100 %	Carga completa
12,4	75 %	90 minutos
12,2	50 %	180 minutos
12,0	25 %	280 minutos

Figura 4-10

- Cargue la batería con un cargador de batería de 12 voltios a un MÁXIMO de 10 amperios.

## Mantenimiento del sistema eléctrico

El tractor tiene instalado un fusible para proteger el sistema eléctrico de los daños causados por el exceso de amperaje. Siempre reemplace con fusibles de la misma capacidad. Si el sistema eléctrico no funciona, controle si hay un fusible quemado.

Si se repite el problema de los fusibles quemados, haga que el distribuidor de servicio autorizado de su localidad revise el sistema eléctrico del tractor.

## Relés e interruptores

Hay varios interruptores de seguridad en el sistema eléctrico. Si una función del sistema de bloqueo de seguridad descrito antes no funciona adecuadamente, haga que el distribuidor de servicio autorizado revise el sistema eléctrico.

## Ajuste del freno de mano

Si el tractor no se detiene por completo cuando se colocan las palancas de control totalmente hacia atrás enganchando el freno de mano, o si las ruedas traseras del tractor siguen rodando con el freno de mano colocado (y la válvula de descarga hidrostática abierta) el freno necesita un ajuste. Consulte al distribuidor de servicio autorizado para realizar un ajuste del freno.

## Retiro de la plataforma

Retire la plataforma de corte del tractor de la siguiente forma:

- Lleve el tractor a una superficie nivelada, desconecte la PTO, pare el motor y coloque las palancas de control en posición neutral/de freno de mano.
- Mueva las ruedas de calibración de la plataforma o los rodillos a su ajuste más alto (ajuste más bajo de la plataforma).
- Retire la correa en 'V' de la polea de la toma de fuerza (PTO), ubicada en la base del motor, usando uno de los dos métodos siguientes.

### ⚠ ADVERTENCIA

El silenciador en la parte trasera del tractor puede estar sumamente caliente y podría causar quemaduras graves. Tenga mucho cuidado cuando se encuentre cerca del silenciador. Deje que el silenciador se enfríe totalmente antes de retirar la correa de la polea de la toma de fuerza (PTO).

- Para aflojar la tensión de la correa con la polea loca:
  - Usando la manija de elevación de la plataforma, levante la plataforma a la posición que le ofrece mayor recorrido horizontal de la correa entre las poleas locas de la plataforma y la polea de la PTO en la base del motor. Vea la Figura 4-11.

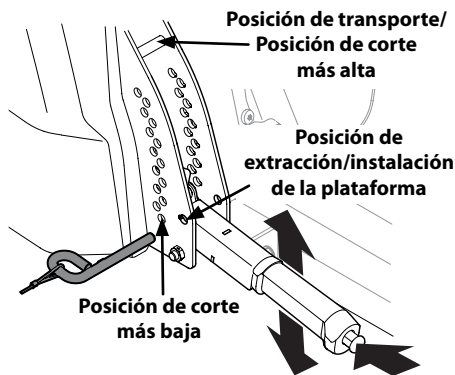


Figura 4-11

- Desde la parte media del tractor, haga girar el soporte de polea loca y la polea loca móvil hacia atrás, separándolos de la parte posterior de la correa en 'V' (a) a una distancia suficiente que permita levantar la correa, por encima de la polea loca (b). Vea la Figura 4-12.

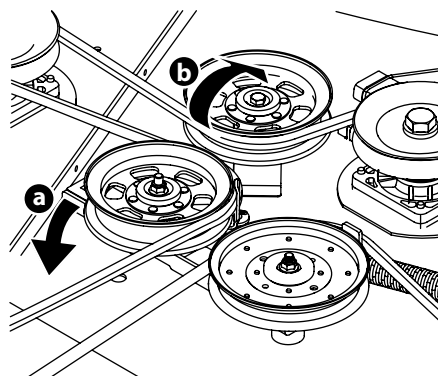


Figura 4-12

- Desde abajo de la parte trasera del tractor, deslice la correa para sacarla de la polea de la toma de fuerza (PTO) en la base del motor.
  - Baje la plataforma hasta la posición de extracción/instalación usando la manija de elevación de la plataforma. Vea la Figura 4-11.
  - Prosiga con el paso 6.
- Haciendo rodar la correa para sacarla de la polea de la toma de fuerza (PTO):
    - Usando la manija de elevación de la plataforma, levante la plataforma a la posición que le ofrece mayor recorrido horizontal de la correa entre las poleas locas de la plataforma y la polea de la PTO en la base del motor.
    - Sentado detrás del tractor, mirando hacia adelante, estire la mano debajo del tractor para agarrar la correa por delante de la polea de la PTO.

### ⚠ ADVERTENCIA

Tenga cuidado de no pellizcarse los dedos cuando saca la correa de la polea de la PTO.

- Tire del lado izquierdo de la correa hacia atrás y hacia abajo mientras gira manualmente la polea de la PTO hacia la derecha hasta que la correa se deslice hacia afuera sobre el borde inferior de la polea.

**Nota:** Si tira del lado derecho de la correa, gire la polea hacia la izquierda.

- Mientras sostiene la correa de la PTO (a) hacia abajo, siga girando la polea de la PTO (b) hasta que la correa de la PTO (a) se deslice fuera de la polea (b). Consulte la Figura 4-13.

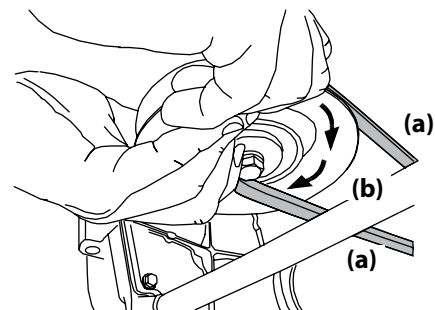


Figura 4-13

- Baje la plataforma hasta la posición de extracción/instalación usando la manija de elevación de la plataforma. Vea la Figura 4-11.
  - Siga con el paso 6.
- Ubique los pasadores de liberación (a) de la plataforma del lado izquierdo y del lado derecho que se encuentran a cada lado de la plataforma. Tire de los pasadores de liberación de la plataforma (a) hacia afuera y suelte la plataforma de los brazos de elevación (b) del lado derecho e izquierdo de la plataforma. Vea la Figura 4-14.

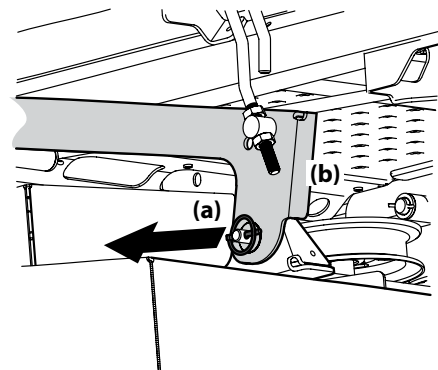


Figura 4-14

### ⚠ PRECAUCIÓN

Hay cierta tensión de los resortes debido al peso de la plataforma. Al retirar el varillaje de elevación de la plataforma, la tensión de los resortes pasará de la plataforma a la manija de elevación de plataforma y retrocederá a su posición original.

- Deslice la varilla de elevación de la plataforma delantera para sacarla de las ménsulas de suspensión del frente de la plataforma
- Ubique la manija de elevación de la plataforma en la posición de corte más elevada y deslice la plataforma hacia afuera del lado derecho del tractor.

## Instalación de la plataforma

Instale la plataforma sobre el tractor de la siguiente forma:

1. Coloque la manija de elevación de la plataforma en la posición de corte más elevada. Vea la Figura 4-11.
2. Deslice la plataforma debajo del tractor del lado derecho del mismo, alineando las ménsulas de suspensión de la plataforma y los brazos de elevación de la plataforma.
3. Una vez que la plataforma esté debajo del tractor, mueva la manija de elevación de la plataforma a la posición de corte más baja.

**Nota:** Para que los soportes se alineen adecuadamente puede ser necesario colocar un bloque de madera pequeño debajo de cada lado de la plataforma.

4. Enganche la varilla de elevación de la plataforma delantera para en las ménsulas de suspensión del frente de la plataforma
5. Tire de los pasadores de liberación de la plataforma hacia afuera y ubique la plataforma según sea necesario para alinear los orificios de los brazos de elevación de la plataforma con los pasadores. Consulte la Figura 4-14.
6. Una vez alineados, empuje cada pasador de liberación de la plataforma totalmente hacia adentro a través de los brazos de elevación de la plataforma para fijar los brazos de elevación de la plataforma en las ranuras de las ménsulas de suspensión traseras.
7. Asegúrese de que la correa en "V" esté en las poleas del husillo de la plataforma, luego oriente la correa hacia atrás por debajo del bastidor del tractor, por encima de los tubos de la transmisión, hacia la polea de la PTO en la base del motor.
8. Usando la manija de elevación de la plataforma, levante la plataforma a la posición que le ofrece mayor recorrido horizontal de la correa entre las poleas locas de la plataforma y la polea de la PTO en la base del motor.
9. Asegúrese de que la correa esté en las poleas del husillo de la plataforma y que el lado trasero de la correa esté contra las poleas locas fija y móvil.
10. Sentado detrás del tractor, mirando hacia adelante, asegúrese de que la correa no esté retorcida; luego estire la mano debajo del tractor para agarrar la correa y tirar de la misma hacia la polea de la PTO.

### ⚠ ADVERTENCIA

Tenga cuidado de no pellizcarse los dedos cuando coloca la correa en la polea de la potencia de arranque.

11. Tire del lado derecho de la correa de la PTO hacia atrás y coloque el lado V angosto de la correa de la PTO en la polea de la PTO. Vea la Figura 4-13.
12. Mientras sostiene la correa de la PTO y la polea de la PTO juntas, rote la polea de la PTO hacia la izquierda (Vea la Figura 4-13). Siga sosteniendo y rotando la polea de la PTO y la correa de la PTO hasta que la correa de la PTO se enrolle totalmente en la polea de la PTO.

**NOTA:** Antes de usar el tractor, compruebe la instalación de la correa para estar seguro de que la misma se ha colocado correctamente.

## Cambio de la correa

1. Extraiga la plataforma de la parte inferior del tractor, (consulte la sección Extracción de la plataforma).

2. Retire los tornillos de cabeza hexagonal con arandela (a) que sujetan a las cubiertas de las correas (b) a la plataforma. Vea la Figura 4-15.

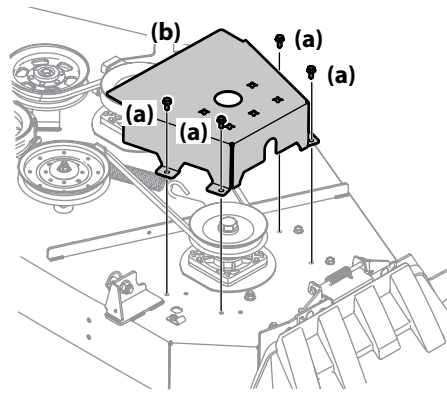


Figura 4-15

3. Extraiga las dos poleas locas (a y b), para lo cual debe retirar los tornillos de cabeza hexagonal (c) y las tuercas de seguridad con brida (d) que las sujetan a la plataforma y el brazo de polea loca (e). Vea la Figura 4-15. No pierda ningún elemento de ferretería (tapas de polea) (f), arandelas, protecciones de la polea (g) (si están equipadas) al sacar el tornillo de cabeza hexagonal (c) y la tuerca de seguridad con brida (d).

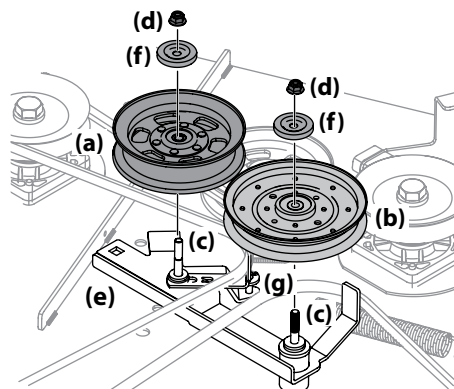


Figura 4-16

**Nota:** Tome nota de la posición de las protecciones de correa (g) para asegurar que se hayan vuelto a instalar de manera correcta.

4. Retire la correa de las poleas del husillo.
5. Instale la nueva correa alrededor de las poleas del husillo tal como se muestra y reinstale las cubiertas de las correas (b). Vea la Figura 4-15.
6. Coloque la correa alrededor de las poleas locas que extrajo en el paso 3 con el lado en "V" orientado hacia adentro. Una vez que todo esté en su lugar, vuelva a colocar los elementos de ferretería y ajuste la tuerca de seguridad con brida para sujetar el conjunto. Vea la Figura 4-17.

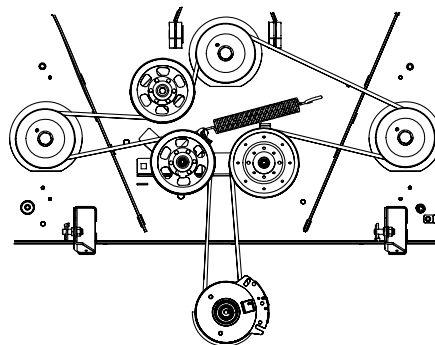


Figura 4-17

7. Pase la correa como se indica en la Figura 4-17 y vuelva a instalar la plataforma (consulte Instalación de la plataforma).

## Cuidado de las cuchillas del tractor

### ⚠ ADVERTENCIA

Antes de realizar cualquier tarea de mantenimiento, coloque el interruptor de la toma de fuerza (PTO) en la posición "OFF" (apagado), enganche la palanca del freno de mano, gire la llave de encendido a la posición "OFF" (apagado) y retire la llave del interruptor. Proteja sus manos utilizando guantes reforzados cuando manipule las cuchillas. Cuando realice el mantenimiento de la plataforma de corte del tractor, tenga cuidado para no cortarse con las cuchillas filosas.

Las cuchillas de corte deben estar siempre afiladas. Afile los bordes de corte de las cuchillas de forma pareja de modo que las cuchillas queden balanceadas y se mantenga el mismo ángulo de filo.

Si el borde de corte de una cuchilla ya se ha afilado muchas veces, o si hay alguna separación en el metal, se recomienda instalar cuchillas nuevas. El distribuidor autorizado le puede proveer cuchillas nuevas.

Las cuchillas se pueden extraer de la siguiente manera.

1. Extraiga la plataforma de la parte inferior del tractor, (consulte la sección Extracción de la plataforma); luego voltee con delicadeza la plataforma para dejar al descubierto su parte inferior.
2. Use una llave de 1/16" para sostener la tuerca hexagonal en la parte superior del conjunto del husillo cuando afloje la tuerca hexagonal (a) que fija la cuchilla (b). Se puede colocar un bloque de madera (c) entre el alojamiento de la plataforma y el borde de corte de la cuchilla (b) para ayudar a aflojar la tuerca hexagonal (a) que fija la cuchilla. Vea la Figura 4-18.

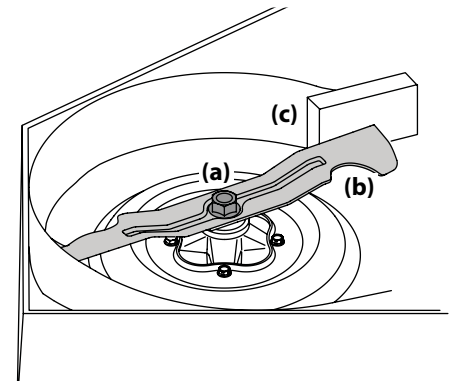


Figura 4-18

3. Cuando reinstale las cuchillas, asegúrese de que se instalen de modo que las aletas se orienten hacia arriba hacia la parte superior de la plataforma.
4. Ajuste las tuercas de las cuchillas (a) a 70-90 ft/lb.
5. Reinstale la plataforma (consulte Instalación de la plataforma).

## Cambio de la correa de transmisión

Para cambiar la correa de transmisión del tractor, se deben retirar varios componentes y se deben usar herramientas especiales. Solicite a un distribuidor de servicio autorizado que realice el reemplazo de la correa de transmisión.

## Desplazamiento lento del tractor

Desplazamiento lento es el movimiento del tractor adelante o hacia atrás cuando el acelerador está activado y las palancas de control de transmisión están en posición neutra. Si tractor se desplaza lentamente, consulte al distribuidor autorizado para el mantenimiento.

# Notas

---

---

---

---

---

---

---

---

---

---

---

---

---

---

---

---

---

---

---

---

---

---

---

---

---

---

---

---

---

---